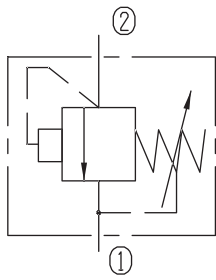


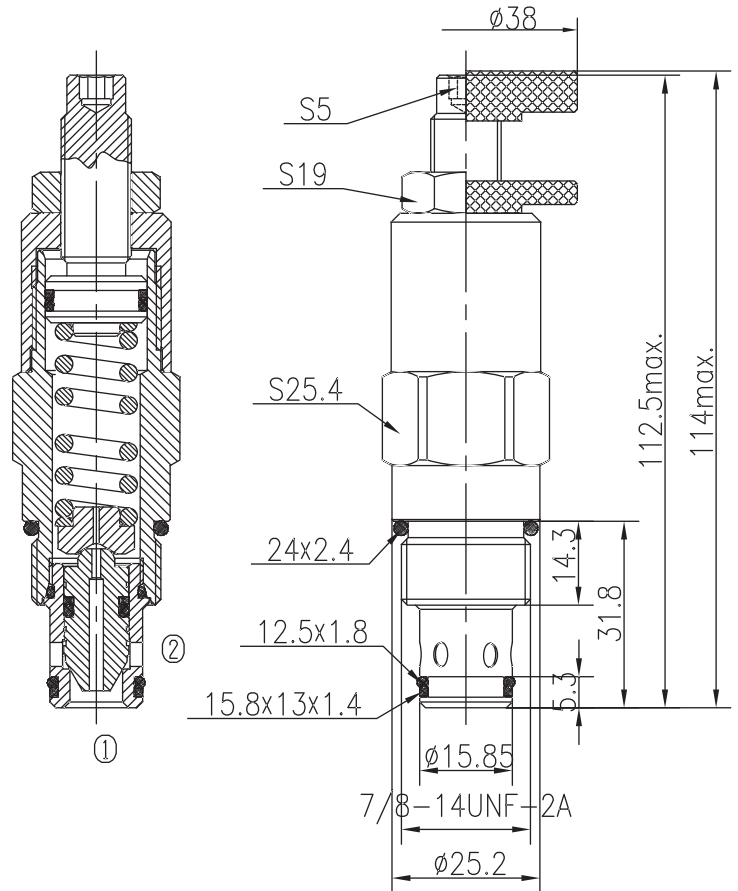
Differential Area Relief Valves (Poppet-type)

BCYF10-00/X.Y

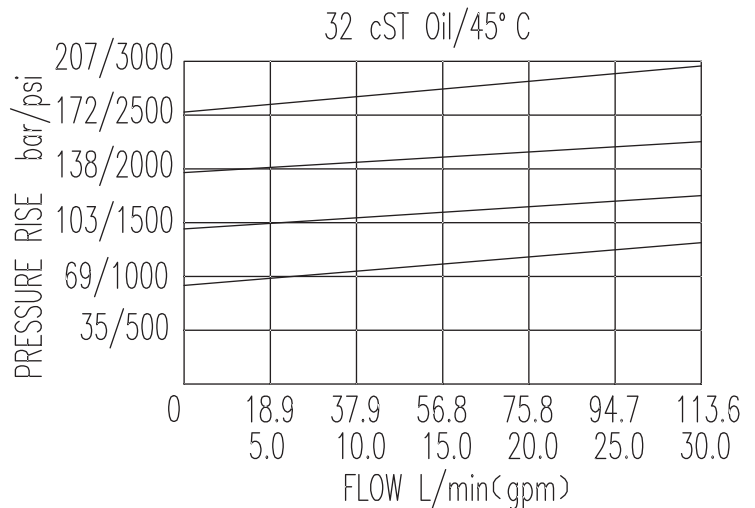


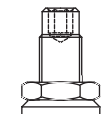
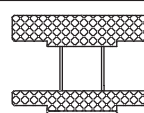
Specifications:

Max working Pressure :	230bar
Flow Max :	113L/min
Internal Leakage :	<30ml/min (75~85% of Setting Pressure at 30L/min)
Filtration Of Oil :	25μm or better
Temperature :	-30~+100℃ (Standard Buna Seals)
Cavity :	T5-1
Installation torque :	33.9~36.7Nm



The valve blocks flow from ② to ① until 85% pressure is present at ②. With the continued increase pressure on ②, ② to ① began to overflow, until to the spring's maximum pressure.



X	ADJUSTMENTS	
03	Leakproof hex. and socket screw	
05	Alum. Knob and Locking Nut	

Y	SPRINGS			
	Press. range bar	Press. increase bar/turn	Standard setting bar	Cracking press. bar
05	14~99	18	80	59
10	66~153	28	120	95
15	87~202	37	160	135
20	109~230	45	200	175