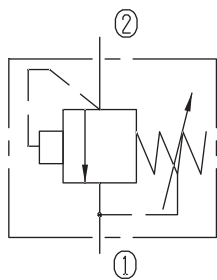


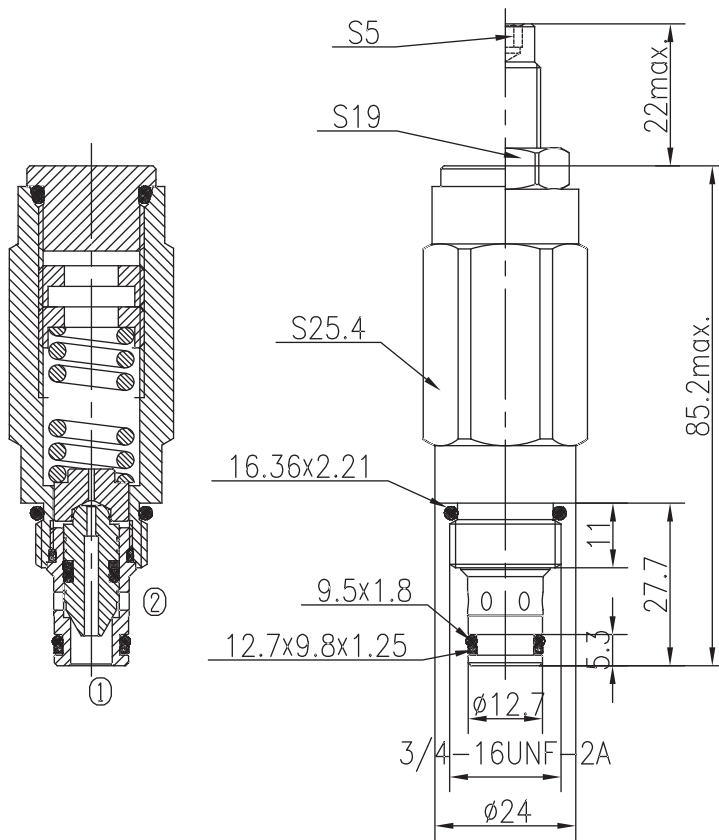
Differential Area Relief Valves (Poppet-type)

BCYF08-00/X.Y

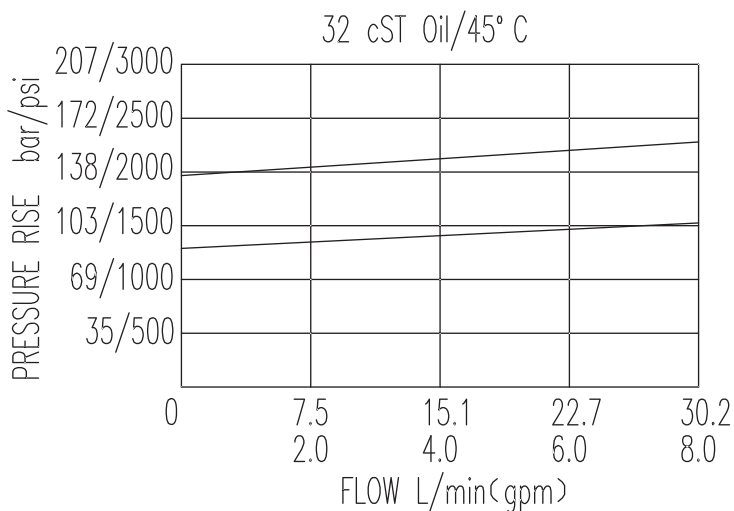


Specifications:

Max working Pressure :	210bar
Flow Max :	30L/min
Internal Leakage :	<30ml/min
(75~85% of Setting Pressure at 15L/min)	
Filtration Of Oil :	25µm or better
Temperature :	-30~+100℃
	(Standard Buna Seals)
Cavity :	T4-1
Installation torque :	24.5~27.2Nm



The valve blocks flow from ① to ② until 85% pressure is present at ①. With the continued increase pressure on ①, ② to ① began to overflow, until to the spring's maximum pressure.



X	ADJUSTMENTS	
03	Leakproof hex. and socket screw	
05	Factory Preset None Adjustments	

Y	SPRINGS			
	Press. range bar	Press. increase bar/turn	Standard setting bar	Cracking press. bar
05	27~84	12	75	54
10	44~112	18	100	76
15	105~179	23	160	132
20	143~210	37	200	172