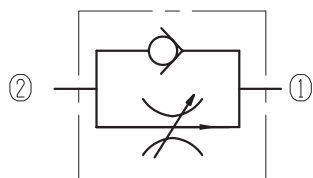


# Adjustable Restriction Valves With Reverse Flow Check

BDLF10-00/X.Y.Z



### Specifications:

Max.Working Pressure : 240bar

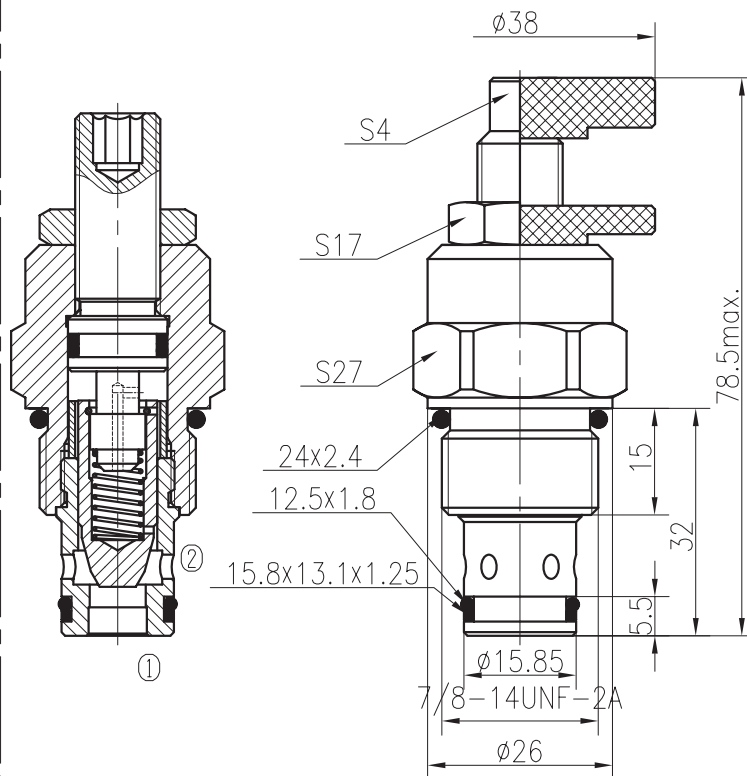
Flow Max : 45L/min at 7bar(Full Open)

Internal Leakage :  $\leq 0.3\text{ml/min}$

Filtration Of Oil :  $25\mu\text{m}$  or better

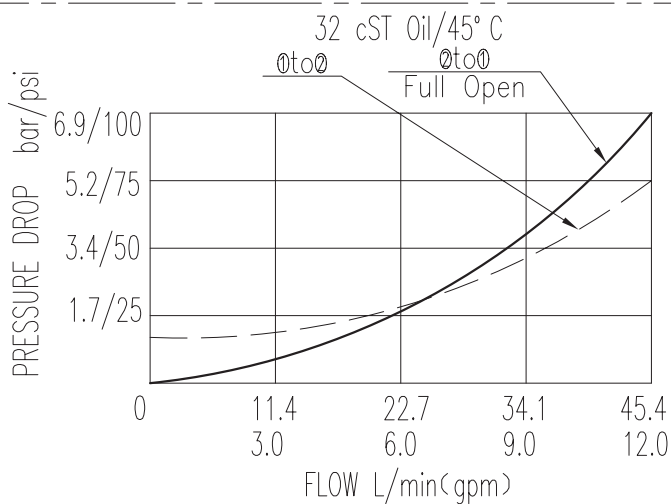
Temperature :  $-30\sim+100^{\circ}\text{C}$   
(Standard Buna Seals)

Installation torque : 33.9~36.7Nm


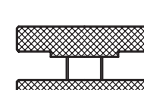


The valve reduce its office value from fully opened to fully close with clock-wise adjustment rotation. At the same time ,the flow from max. to shut-off.

Reverse flow from @to@ is free and no restriction.



| X  | PORTING        | Y | SEALS  |
|----|----------------|---|--------|
| 0  | Cartridge Only | N | Buna   |
| 4G | G1/4           | V | Fluor. |
| 8G | G3/8           |   |        |
| 4T | SAE4           |   |        |
| 6T | SAE6           |   |        |

| Z  | ADJUSTMENTS                     |   |
|----|---------------------------------|---|
| 05 | Leakproof hex. and socket screw |  |
| 10 | Alum. Knob and Locking Nut      |  |