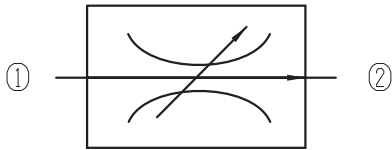


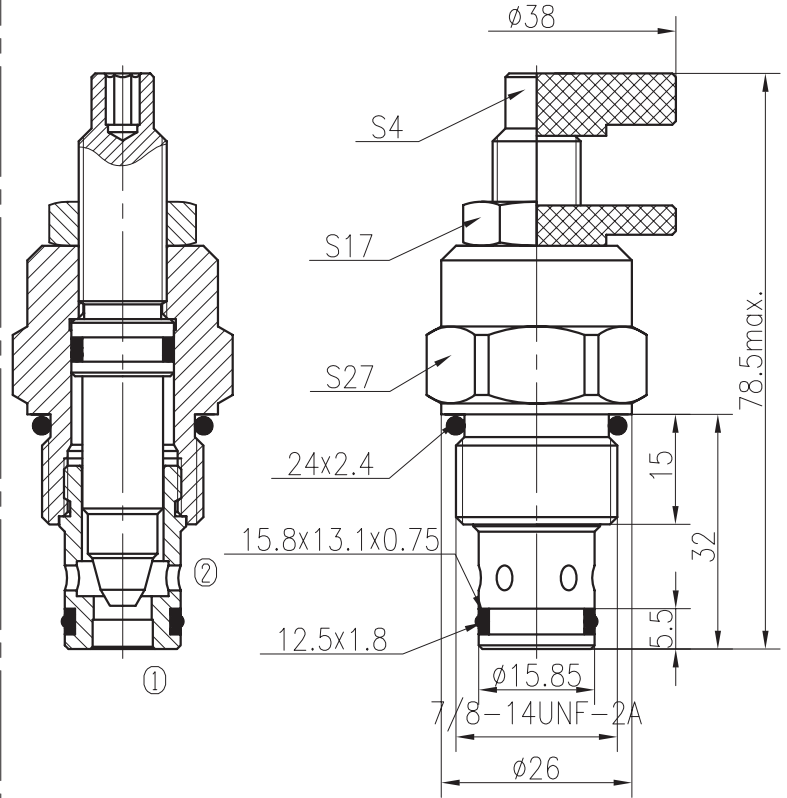
Adjustable Restriction Valves (Needle Type)

BLF10-00/X.Y.Z

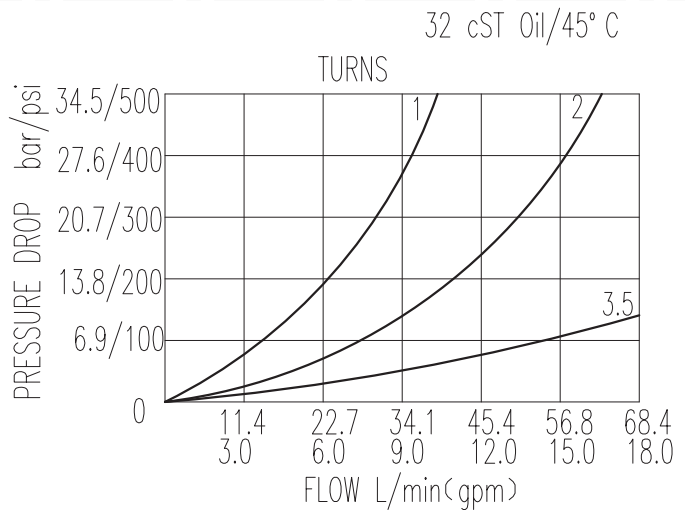


Specifications:

Max. Working Pressure :	240bar
Flow Max :	56L min at 7bar
Internal Leakage :	<0.3ml/min
Filtration Of Oil :	25μm or better
Temperature :	-30~+100°C (Standard Buna Seals)
Cavity):	T5-1
Installation torque :	33.9~36.7Nm



The valve reduce its orifice value from fully opened to fully close with clock-wise adjustment rotation. At the same time ,the flow from max. to shut-off.



X	PORTING	Y	SEALS	Z	ADJUSTMENTS
0	Cartridge Only	N	Buna	05	Leakproof hex. and socket screw
4G	G1/4	V	Fluor.	10	Alum. Knob and Locking Nut
8G	G3/8				
4T	SAE4				
6T	SAE6				