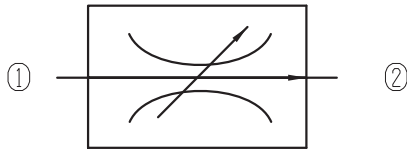


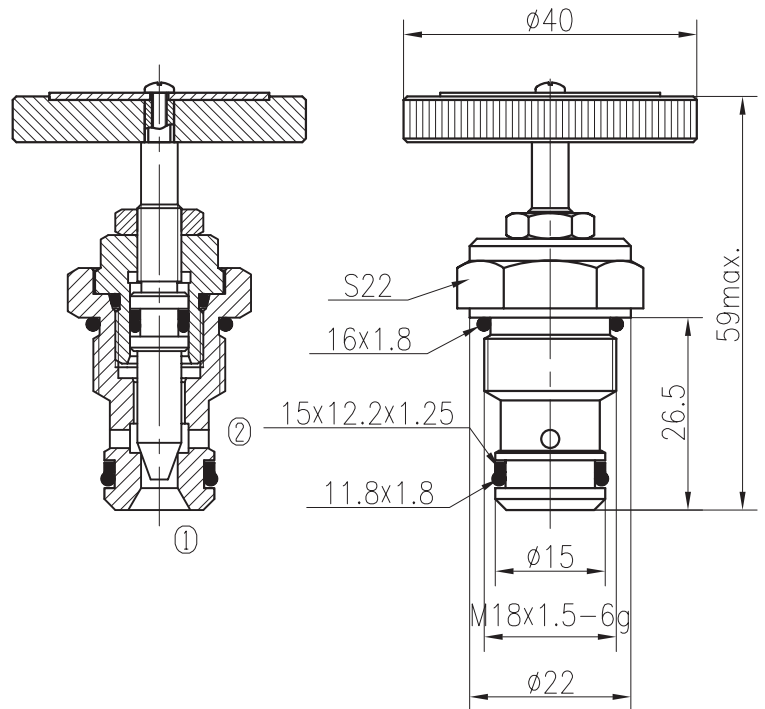
Adjustable Restriction Valves (Needle Type)

BLF04-00/X.Y.Z

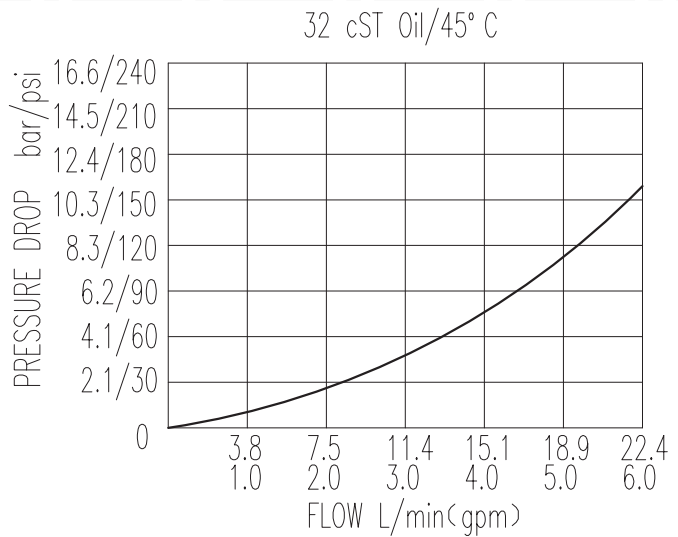


Specifications:

Max.Working Pressure :	240bar
Flow Max :	20L/min at 7bar
Internal Leakage :	≤0.3ml/min
Filtration Of Oil :	25μm or better
Temperature :	-30~+100℃ (Standard Buna Seals)
Cavity :	T-2102S
Installation torque :	24.5~27.2Nm



The valve reduce its orifice value from fully opened to fully close with clock-wise adjustment rotation. At the same time ,the flow from max. to shut-off.



X	PORTING	Y	SEALS
0	Cartridge Only	N	Buna
		V	Fluor.

Z	ADJUSTMENTS	
05	Steel Knob and Locking Nut	