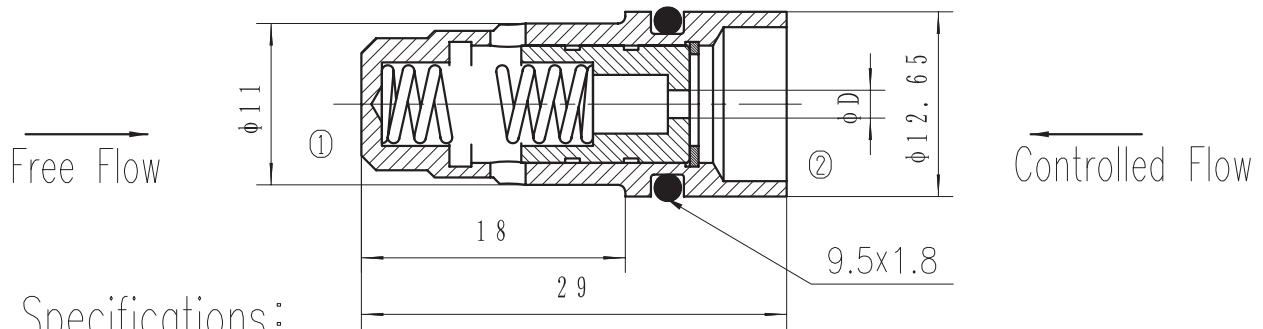


Regulator Pressure-compensated Valves (Fixed Orifice)

BBLF06-02-00



Specifications:

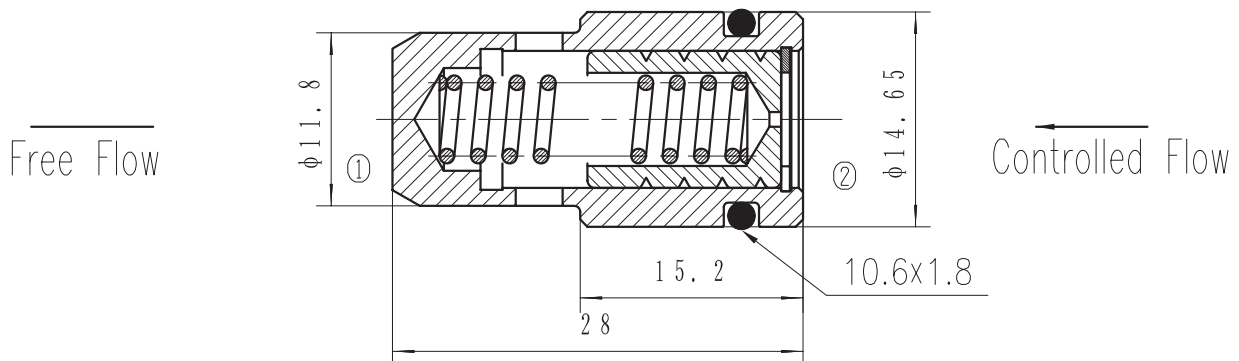
Working Pressure Range 3.5~210bar

Max. Inlet Flow 12L/min

Filtration of Oil 25 μ m or better

Order Type	Output Port Flow L/min
BLF06-02-00	4 \pm 0.4
BLF06-02B-00	3 \pm 0.3
BLF06-02C-00	2 \pm 0.2

BLF06-03-00



Specifications:

Working Pressure Range 3.5~210bar

Max. Inlet Flow 12L/min

Filtration of Oil 25 μ m or better

Order Type	Output Port Flow L/min
BLF06-03-00	2.8 \pm 0.3