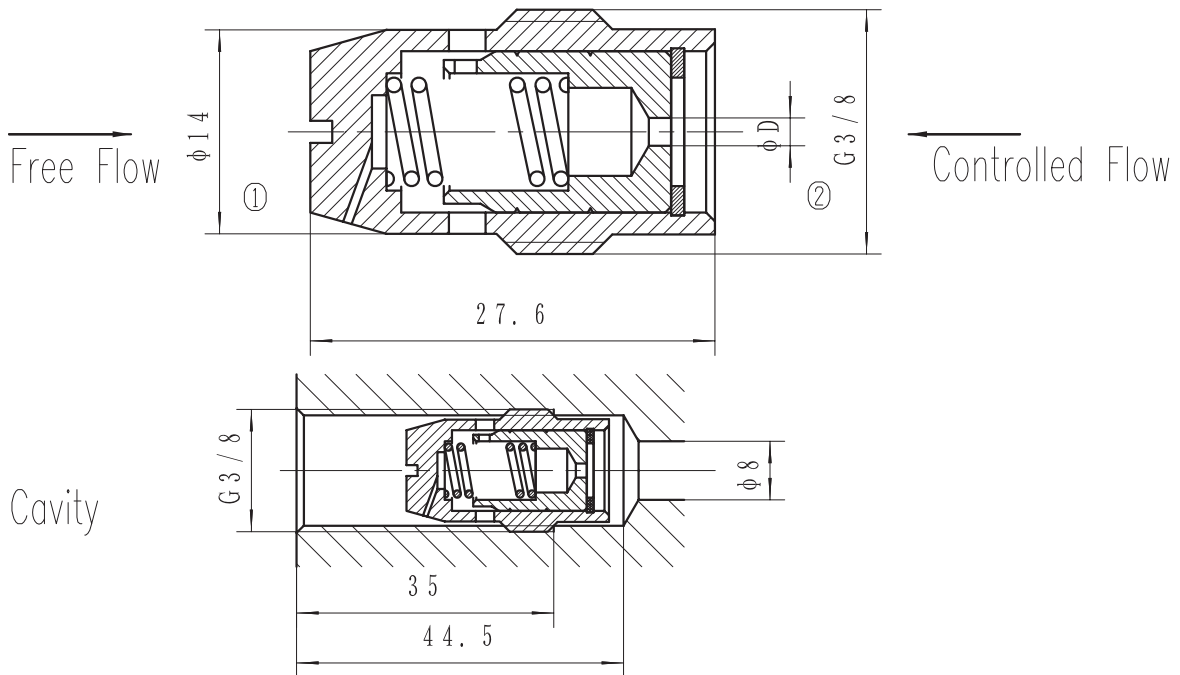
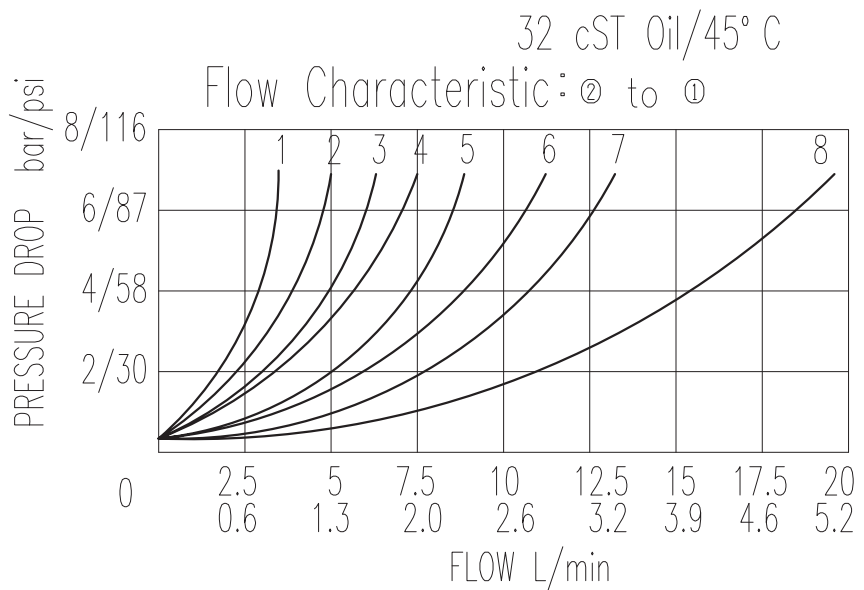
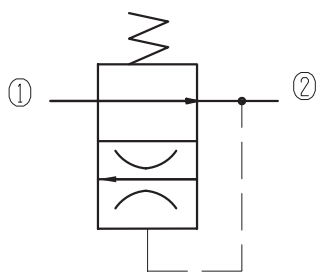


Regulator Pressure-compensated Valves (Fixed Orifice)

BBLF06/xx-00-00



Symbol:



Specifications:

- Working Pressure Range: 3.5~210bar
- Flow Max.: See Flow Characteristic
- Filtration of Oil: 25μm or better

ORDER :

BLF06/12-00-00--12
 (12 express D is 1.2, 20 express D is 2.0 and so so.)

Controlled Flow Range

Flow Range		φD	No.
min.	max.		
1.4	3.6	1.2	1
2.0	4.7	1.5	2
3.5	6.2	2.0	3
4.3	7.0	2.2	4
5.2	8.5	2.5	5
7.5	10.5	3.0	6
10	13.5	3.5	7
13	18	4.0	8