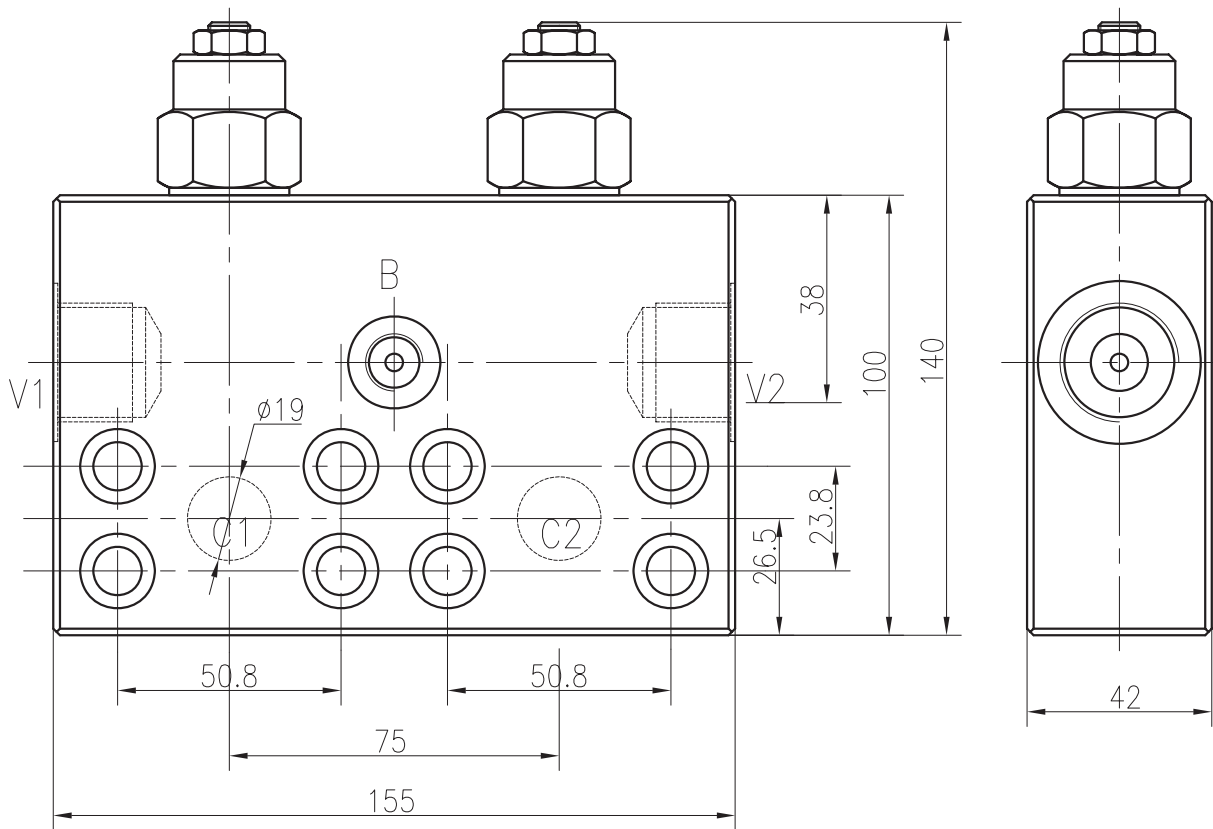
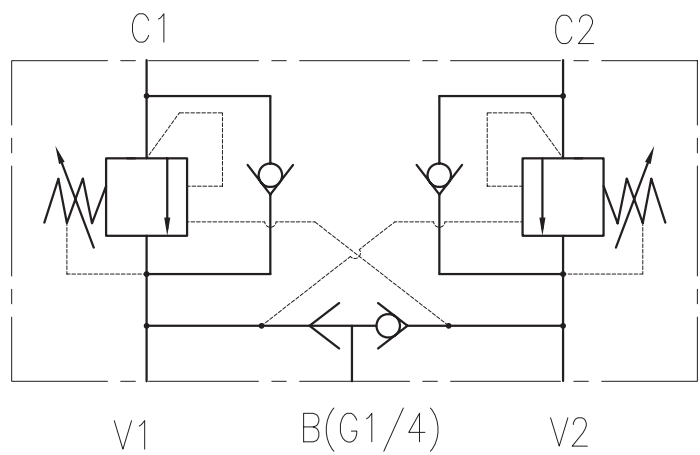


BDPF12EG-01/X.Y.Z



Specifications:

Max.Working Pressure):	270bar
Flow Max :	120L/min
Internal Leakage :	≤0.4ml/min
Filtration Of Oil :	25μm or better
Temperature :	-30~+100℃ (Standard Buna Seals)
Pilot Ratio :	4.5:1



X	V1, V2 (PORTING)	Y	SEALS
27M	M27×2	N	Buna)
6G	G3/4	V	Fluor.)
4W	NPT3/4		
12T	SAE12		

Z	SPRINGS			
	Press. range bar	Press. increase bar/turn	Standand setting bar	Cracking press. bar
05	70~175		140	125
10	140~350		210	180