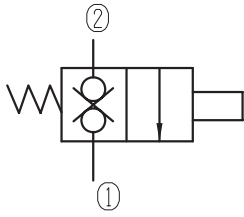


Mobile Operated Directional Valves

BJHF06-227/X.Y



Specifications:

Max working Pressure : 315bar

Flow Max : 30L/min

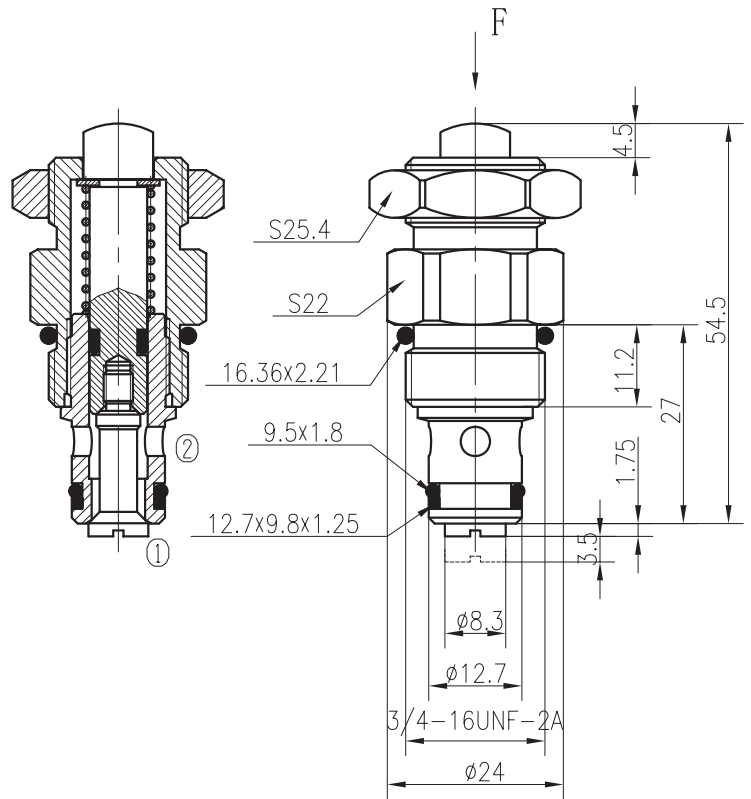
Internal Leakage : $\leq 0.3\text{ml/min}$ at 210bar

Filtration Of Oil) : $25\mu\text{m}$ or better

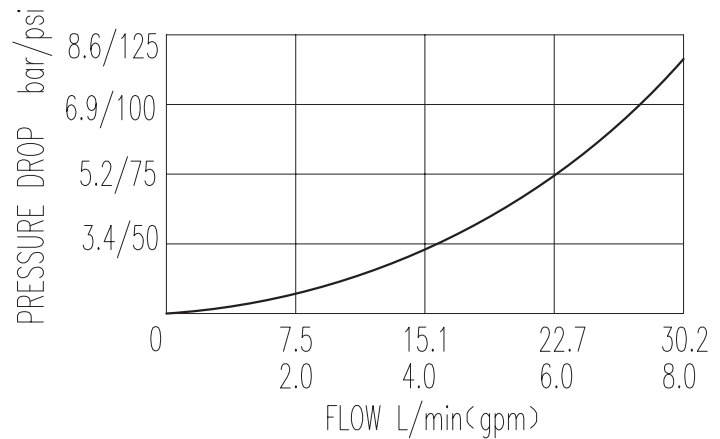
Temperature) : $-30\sim+100^{\circ}\text{C}$
(Standard Buna Seals)

Cavity : T4-1

Installation torque : 24.5~27.2Nm



32 cST Oil/45° C



In neutral state, the valve blocks flow from ② to ① and ① to ②. While the F beyond 32N, the valve allows flow from ② to ①, the F continue to increase 42N, the valve reaches to all displacement 3.5mm.

Back pressure at ① will increase the F even unable to open ② to ①. ① is pressure port and ② is tank port.

| X | PORTING | Y | SEALS |
|----|----------------|---|--------|
| 0 | Cartridge Only | N | Buna |
| 4G | G1/4 | V | Fluor. |
| 8G | G3/8 | | |
| 4T | SAE4 | | |
| 6T | SAE6 | | |