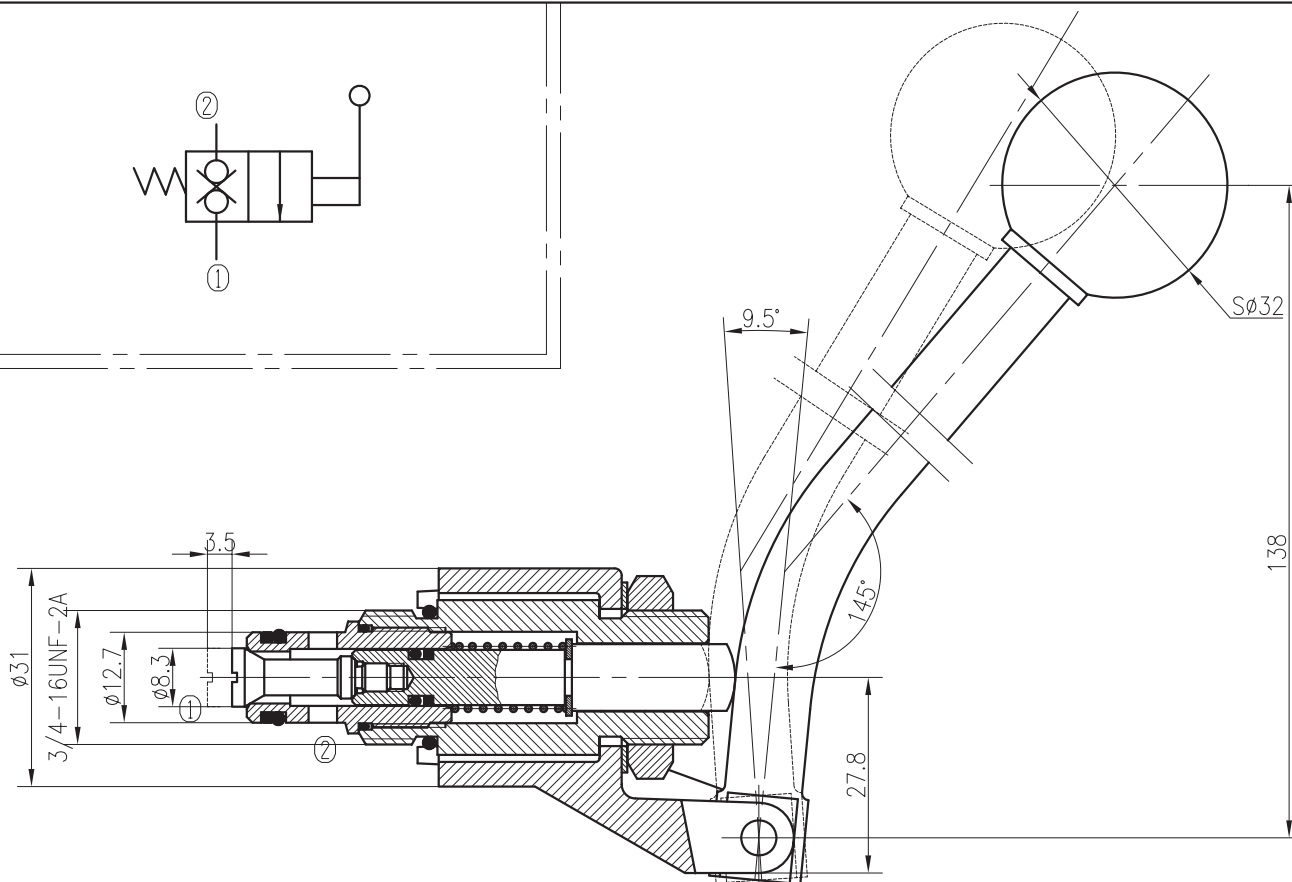
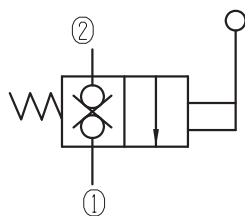


# Manual Operated Directional Valves

BSHF06-227/X.Y



### Specifications:

Max working Pressure : 315bar

Flow Max : 30L min /

Internal Leakage :

$\leq 0.3\text{ml/min}$  at 210bar

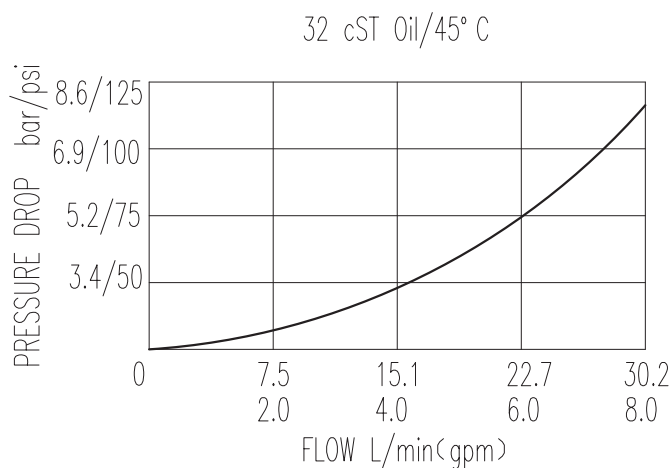
Filtration Of Oil :  $25\mu\text{m}$  or better

Temperature :  $-30\sim+100^\circ\text{C}$

(Standard Buna Seals)

Cavity : T4-1

Installation torque :  $24.5\sim 27.2\text{Nm}$



X	PORTING	Y	SEALS
4G	G1/4	N	Buna
8G	G3/8	V	Fluor.
4T	SAE4		
6T	SAE6		