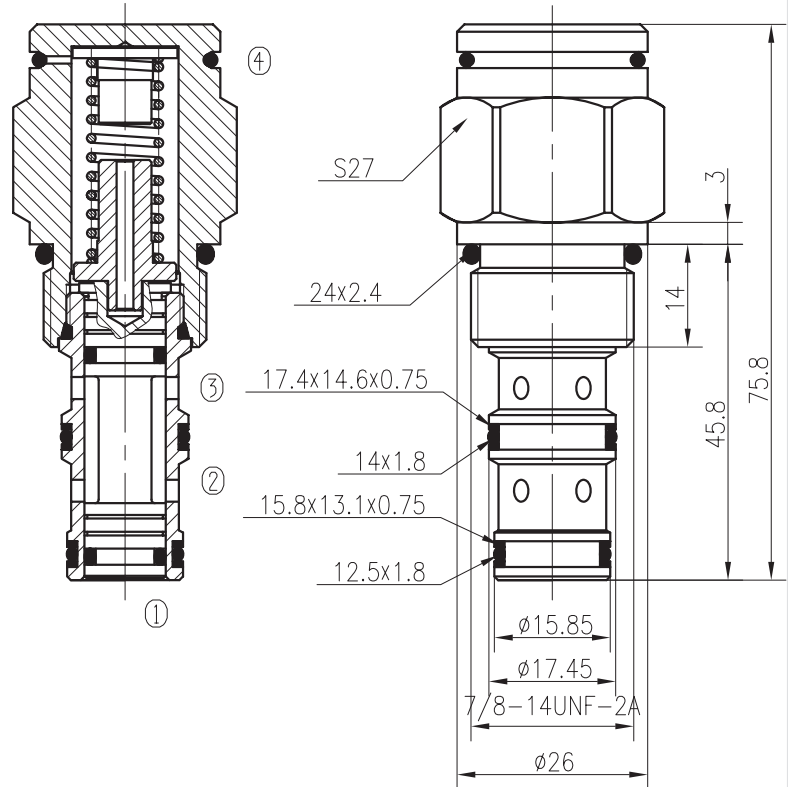
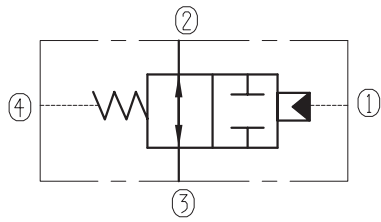


# Hydraulic Operated Directional Valves

BYHF10-225/X.Y.Z



### Specifications:

Max working Pressure : 210bar

Flow Max : 38L/min

Internal Leakage :  $\leq 80\text{ml/min}$  at 210bar

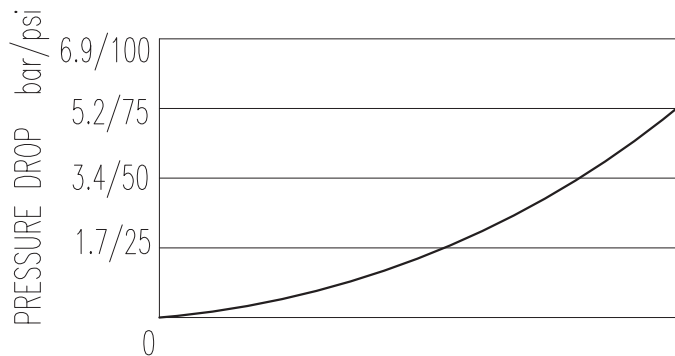
Filtration Of Oil :  $25\mu\text{m}$  or better

Temperature :  $-30\sim+100^{\circ}\text{C}$   
(Standard Buna Seals)

Cavity : T5-2

Installation torque : 33.9~36.7Nm

In neutral state(unpiloted),the valve allows flow from ②to③ bidirectionally.When pilot port ① is applied sufficient pressure,the valve shift to block ② to ③ bidirectionally.



X	PORTING	Y	SEALS
0	Cartridge Only	N	Buna
4G	G1/4	V	Fluor.
8G	G3/8		
4T	SAE4		
6T	SAE6		

Z	Full Shift Pressure (bar)
05	2.8
10	4.5
15	8.1
20	11.8