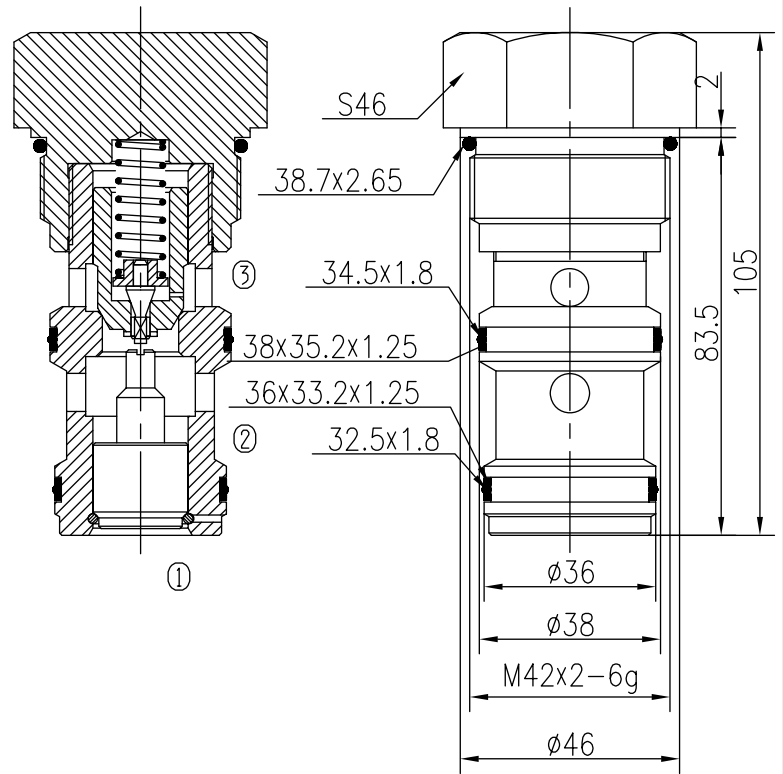
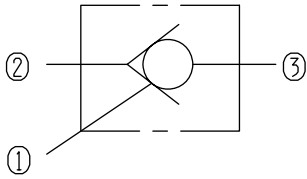


# Hydraulic Operated Check Valves (Poppet-type)

BYDF16-00/X.Y.Z



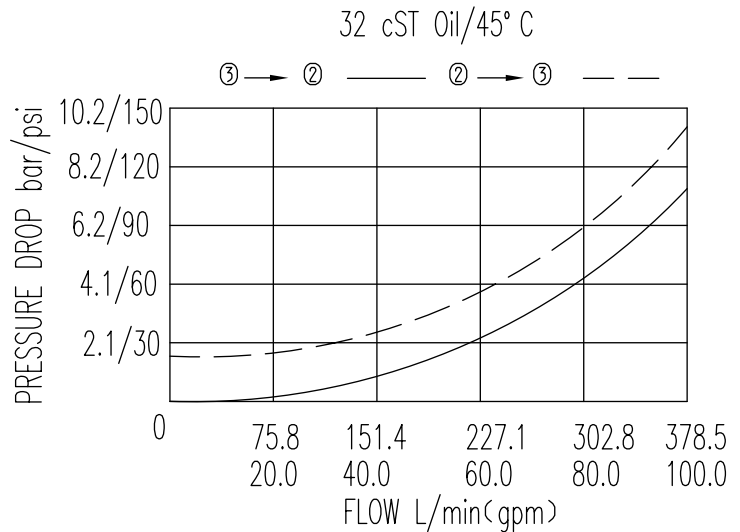
**Specifications:**

Max working Pressure :	315bar
Flow Max :	380L/min
Internal Leakage :	$\leq 0.3\text{ml/min}$ at 210bar
Filtration Of Oil :	25 $\mu\text{m}$ or better
Temperature :	-30~+100 $^{\circ}\text{C}$ (Standard Buna Seals)
Cavity :	T8-S2
Installation torque :	88.4~102Nm

The valve allows flow from ② to ③ with very low pressure drop, while blocks flow from ③ to ②.

The valve blocks flow from ③ to ② until sufficient pressure is applied at ②.

The valve has a 25:1 pilot ratio, meaning that at least 1/25 of the load pressure held at ③ is required at ② to open the valve.



X	PORTING	Y	SEALS
0	Cartridge Only	N	Buna
		V	Fluor

Z	SPRINGS	
	Cracking Pressure bar	Cracking Pressure bar
05	1.5	
10	3	
15	8	