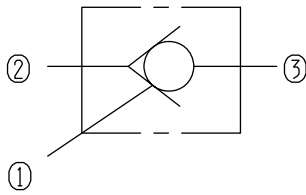


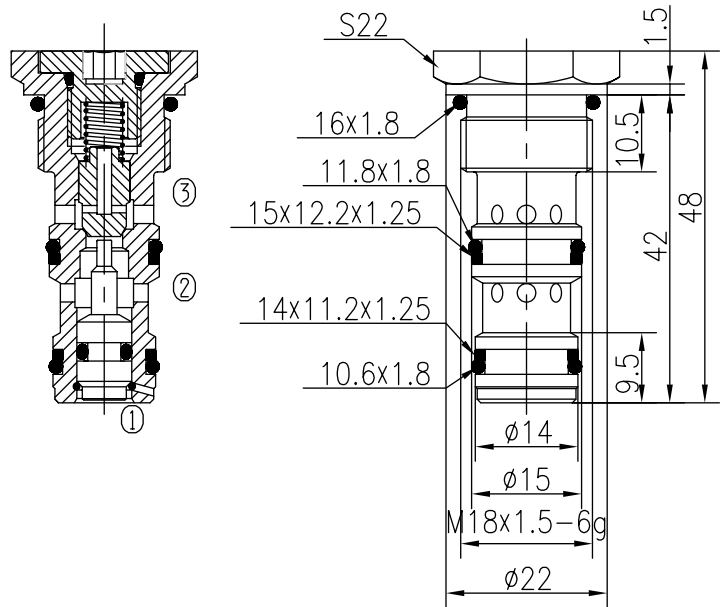
Hydraulic Operated Check Valves (Poppet-type)

BYDF04-00/X.Y.Z



Specifications:

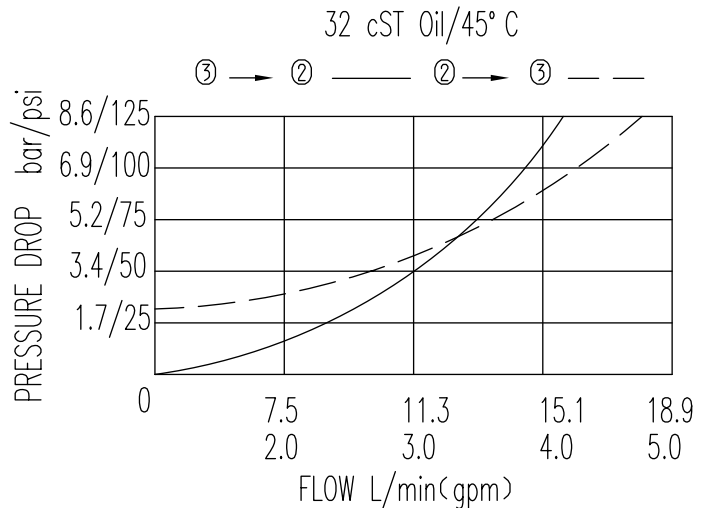
Max working Pressure :	240bar
Flow Max :	18L/min
Internal Leakage :	≤0.3ml/min at 210bar
Filtration Of Oil :	25μm or better
Temperature :	-30~+100℃ (Standard Buna Seals)
Cavity :	T4-S2S
Installation torque :	24.5~27.2Nm



The valve allows flow from ② to ③ with very low pressure drop, while blocks flow from ③ to ②.

The valve blocks flow from ③ to ② until sufficient pressure is applied at ①.

The valve has a 2.2:1 pilot ratio, meaning that at least 1/2.2 of the load pressure held at ③ is required at ① to open the valve.



X	Pilot Ratio	Y	SEALS
05	2.2:1	N	Buna
10	2.8:1	V	Fluor

Z	SPRINGS	
	Cracking Pressure bar	Cracking Pressure bar
05	1	
10	2	
15	6	