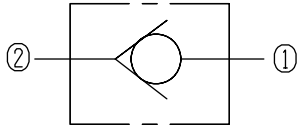


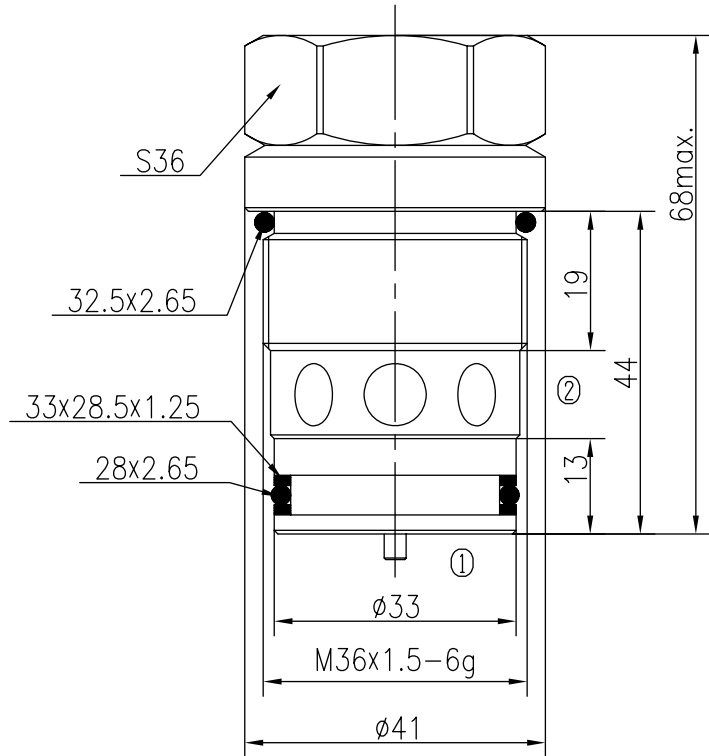
Reverse Check Valves (Poppet-type)

BFDF32-00/X.Y.Z



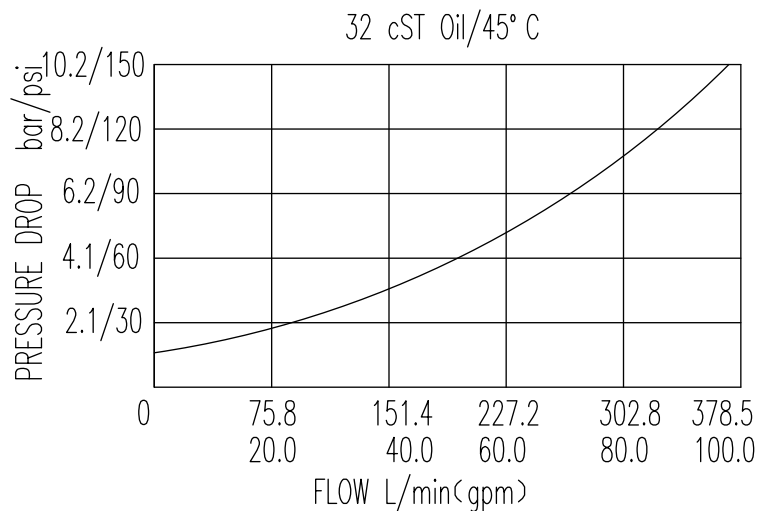
Specifications:

| | |
|------------------------|------------------------------------|
| Max working Pressure : | 350bar |
| Flow Max : | 400L/min |
| Internal Leakage : | ≤0.3ml/min at 210bar |
| Filtration Of Oil : | 25μm or better |
| Temperature : | -30~+100℃ (Standard Buna Seals) |
| Cavity : | T-2416 |
| Installation torque : | 88.1~102Nm |



The valve allows flow from ② to ① with very low pressure drop, while blocks flow from ① to ②.

The valve blocks flow from ① to ② until sufficient pressure is applied at ②.



| X | PORTING | Y | SEALS |
|---|----------------|---|-------|
| 0 | Cartridge Only | N | Buna |
| | | V | Fluor |

| Z | SPRINGS | |
|----|-----------------------|-----------------------|
| | Cracking Pressure bar | Cracking Pressure bar |
| 05 | 1.5 | |