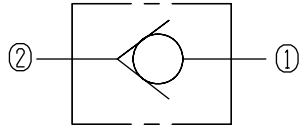


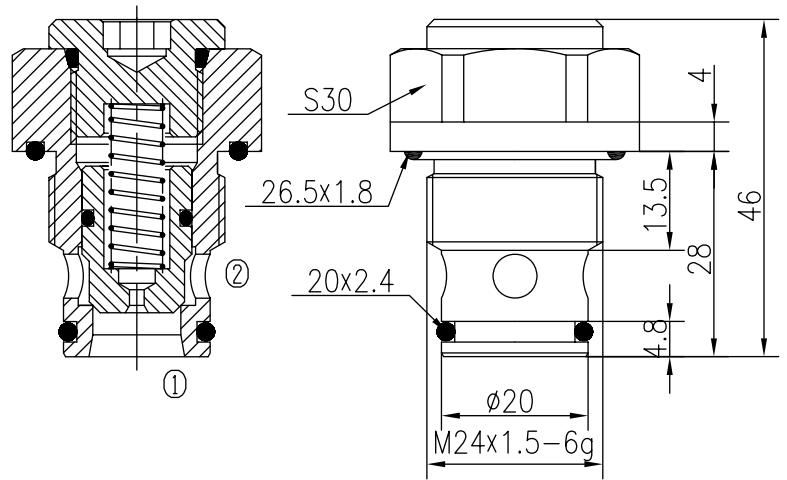
Reverse Check Valves (Poppet-type)

BFDF10-02/X.Y.Z



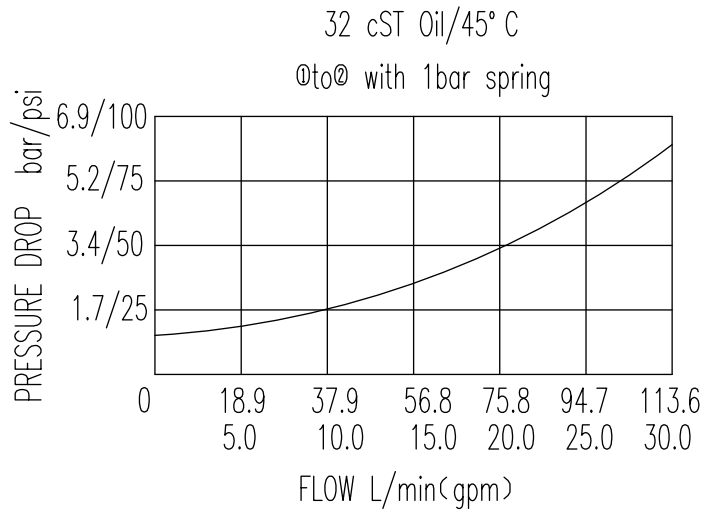
Specifications:

Max working Pressure :	240bar
Flow Max :	113L/min
Internal Leakage :	≤0.3ml/min at 210bar
Filtration Of Oil :	25μm or better
Temperature :	-30~+100°C (Standard Buna Seals)
Cavity :	T-2404
Installation torque :	38.7~43.8Nm



The valve allows flow from ② to ① with very low pressure drop, while blocks flow from ① to ②.

The valve blocks flow from ① to ② until sufficient pressure is applied at ②.



X	PORTING	Y	SEALS
0	Cartridge Only	N	Buna
		V	Fluor

Z	SPRINGS	
	Cracking Pressure bar	Cracking Pressure bar
05	0.25	
10	0.5	
15	1	