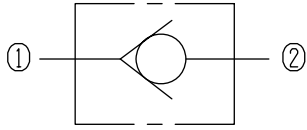


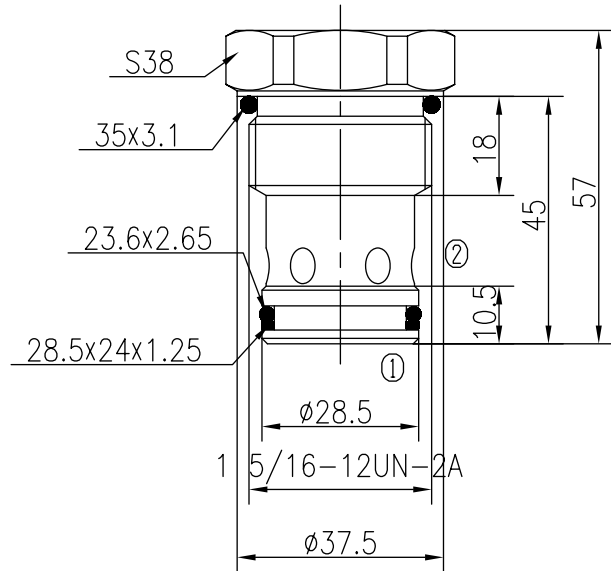
Check Valves (Poppet-type)

BDF16-02/X.Y.Z



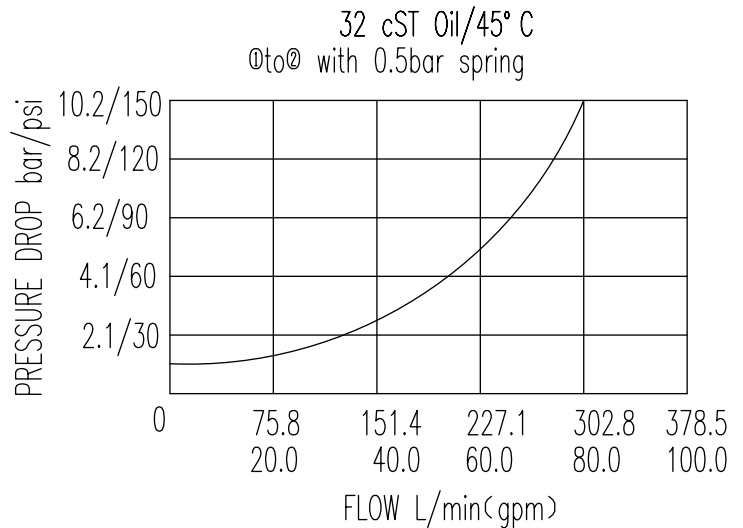
Specifications:

Max working Pressure :	240bar
Flow Max :	300L/min
Internal Leakage :	≤0.3ml/min at 210bar
Filtration Of Oil :	25μm or better
Temperature :	-30~+100℃ (Standard Buna Seals)
Cavity :	T7-1
Installation torque :	62.6~73.4Nm
Standard Block Model	T7-11*/13*/14*/16*



The valve allows flow from ① to ② with very low pressure drop, while blocks flow from ② to ①.

The valve blocks flow from ① to ② until sufficient pressure is applied at ②.



X	PORTING	Y	SEALS	Z	SPRINGS		
					Cracking Pressure bar		Cracking Pressure bar
0	Cartridge Only	N	Buna				
5G	G3/4	V	Fluor	05	0.5		
6G	G1			10	1.7		
10T	SAE10			15	2.7		
12T	SAE12			20	4.1		