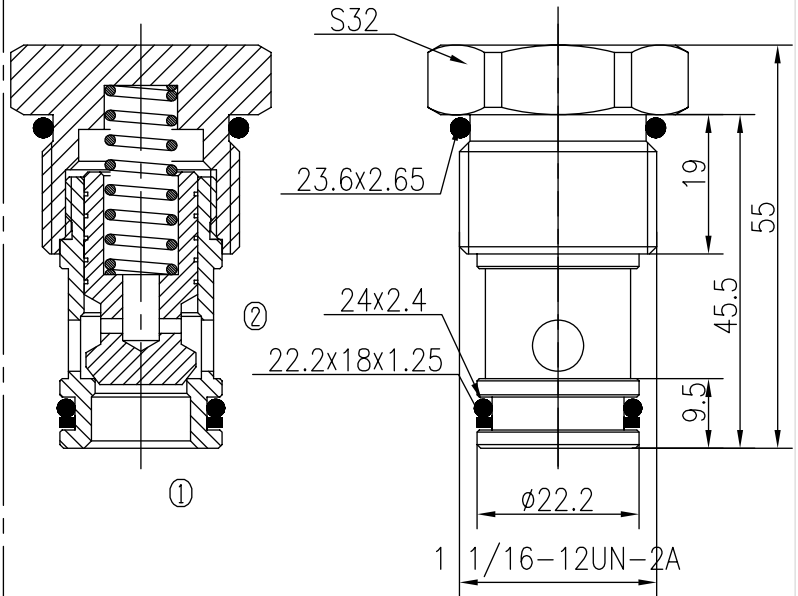
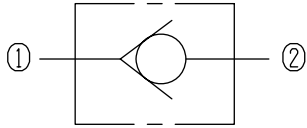


Check Valves (Poppet-type)

BDF12-01/X.Y.Z

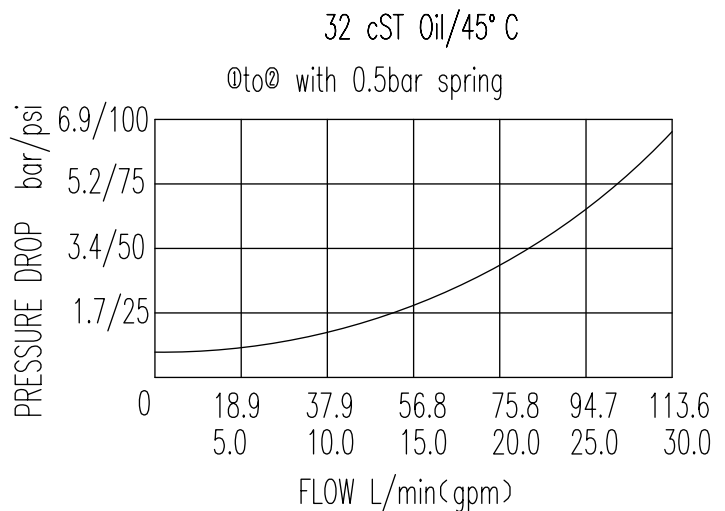


Specifications:

Max working Pressure :	240bar
Flow Max :	113L/min
Internal Leakage :	≤0.3ml/min at 210bar
Filtration Of Oil :	25μm or better
Temperature :	-30~+100℃ (Standard Buna Seals)
Cavity :	T6-1
Installation torque :	44.9~50.3Nm
Standard Block Model	T6-11*/13*/14*/16*

The valve allows flow from ① to ② with very low pressure drop, while blocks flow from ② to ①.

The valve blocks flow from ① to ② until sufficient pressure is applied at ②.



X	PORTING	Y	SEALS
0	Cartridge Only	N	Buna
5G	G3/4	V	Fluor
6G	G1		
10T	SAE10		
12T	SAE12		

Z	SPRINGS	
	Cracking Pressure bar	Cracking Pressure bar
05	0.5	
10	1.7	
15	2.8	
20	3.7	