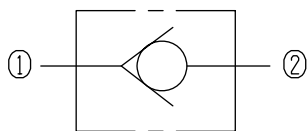


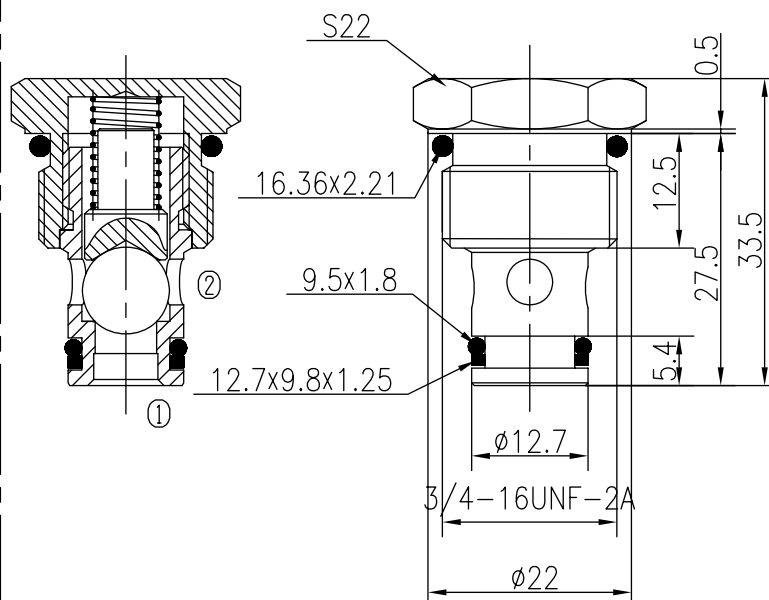
# Check Valves (Ball-type)

BDF08-02/X.Y.Z



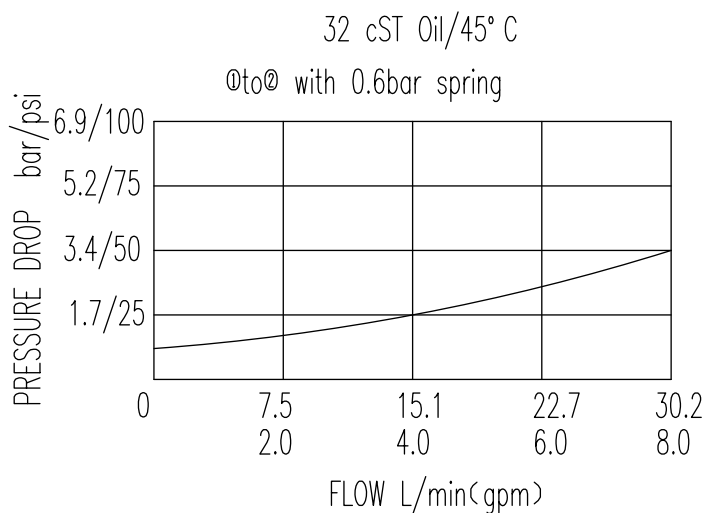
## Specifications:

Max working Pressure :	315bar
Flow Max :	30L/min
Internal Leakage :	≤0.3ml/min at 210bar
Filtration Of Oil :	25μm or better
Temperature :	-30~+100℃ (Standard Buna Seals)
Cavity :	T4-1
Installation torque :	24.5~27.2Nm
Standard Block Model	T4-11*/13*/14*/16*



The valve allows flow from ① to ② with very low pressure drop, while blocks flow from ② to ①.

The valve blocks flow from ① to ② until sufficient pressure is applied at ②.



X	PORTING	Y	SEALS
0	Cartridge Only	N	Buna
4G	G1/4	V	Fluor
8G	G3/8		
4T	SAE4		
6T	SAE6		

Z	SPRINGS		
	Cracking Pressure bar		Cracking Pressure bar
05	0.28	25	5.5
10	0.46	30	6.7
15	0.6	35	15.4
20	1.6		