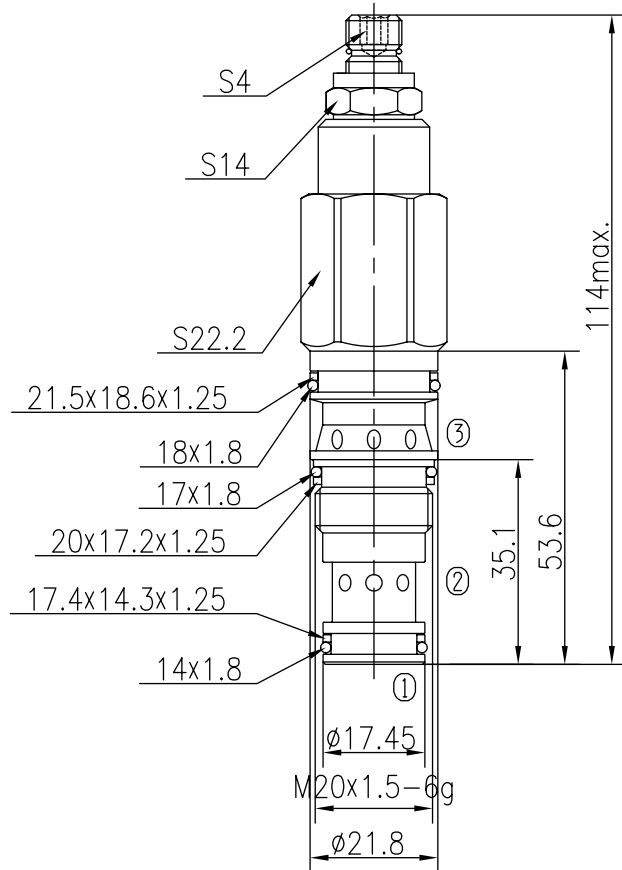
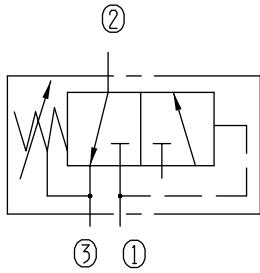


Direct-acting Sequence Valves (Internally Pilot and Drain)

BZSF10-01/X.Y

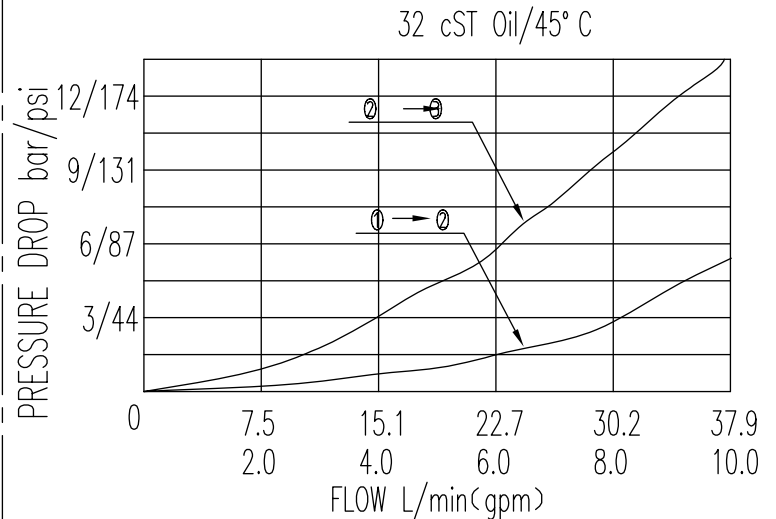


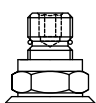
Specifications:

Max working Pressure :	210bar
Flow Max :	30L/min
Internal Leakage :	≤50ml/min at 100bar
Filtration Of Oil :	25μm or better
Temperature :	-30~+100℃ (Standard Buna Seals)
Cavity :	T-11A
Installation torque :	40~50Nm

In its steady state, the valve blocks flow at ①, while allowing flow to pass from ② to ③; while a pre-determined pressure obtained at port ①, the valve allowing flow from ② to ③.

This valve is used in two pressure circuit, it allows direct flow to a secondary circuit once a pre-determined level is attained in the primary circuit.



X	ADJUSTMENTS	
03	Leakproof hex. and socket screw	

Y	SPRINGS			
	Press. range bar	Press. increase bar/turn	Standard setting bar	Cracking press. bar
05	14~105		30	
10	35~210		70	