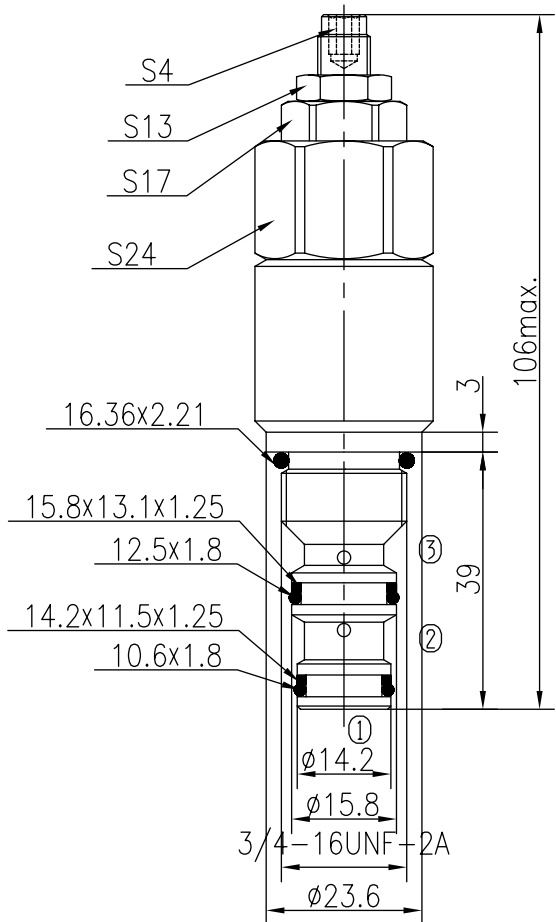
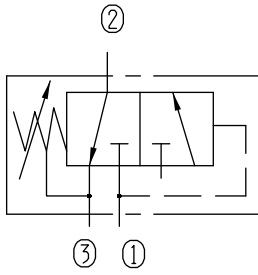


# Direct-acting Sequence Valves (Internal Pilot and Drain)

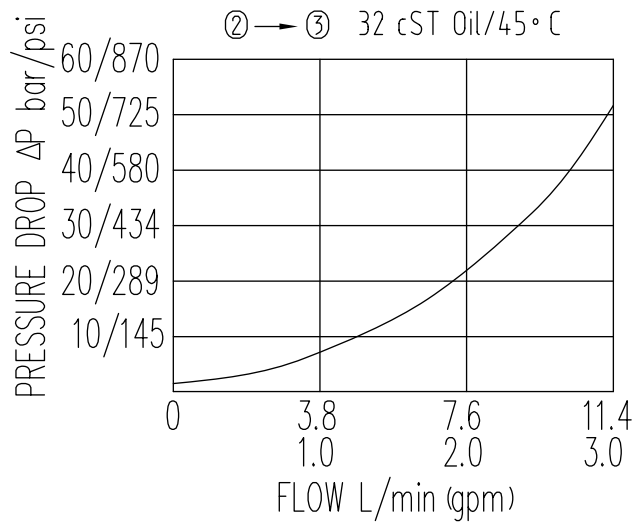
BZS08-00/X.Y

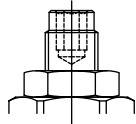


### Specifications:

Max working Pressure :	160bar
Flow Max :	11L/min
Internal Leakage :	<80ml/min at 210bar
Filtration Of Oil :	25µm or better
Temperature :	-30~+100℃ (Standard Buna Seals)
Cavity :	T4-2
Installation torque :	24.5~27.2Nm

In its steady state, the valve blocks flow at ②, while allowing flow to pass from ② to ①. On attainment of a pre-determining pressure at ②, the valve shifts to open ② to ①.



X	ADJUSTMENTS	
03	Leakproof hex. and Socket Screw	

Y	SPRINGS			
	Press. range bar	Press. increase bar/turn	Standard setting bar	Cracking press. bar
05	3~30	5.5	30	
10	5~60	13.5	50	
15	10~100	21.4	80	
20	20~160	28.9	100	