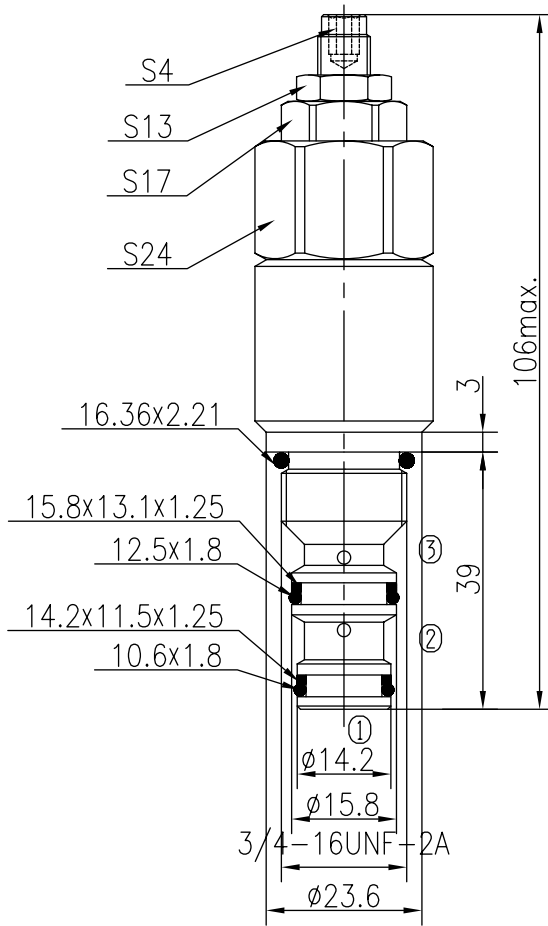
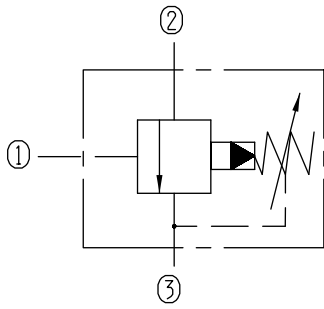


Direct-acting Sequence Valves (External Pilot and Internal Drain)



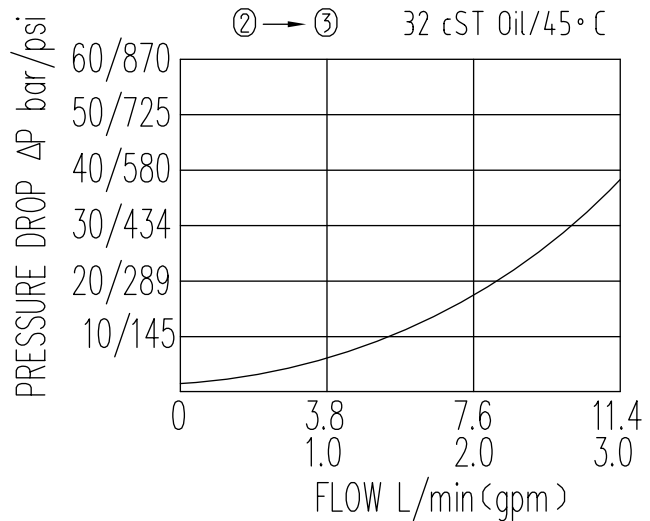
BZS08-02/X.Y



Specifications:

Max working Pressure :	160bar
Flow Max :	11L/min
Internal Leakage :	<80ml/min at 210bar
Filtration Of Oil :	25μm or better
Temperature :	-30~+100℃ (Standard Buna Seals)
Cavity :	T4-2
Installation torque :	24.5~27.2Nm

In its steady state, the valve blocks flow from ② to ①, with the spring chamber drained at ③. On attainment of a pre-determining pressure at ③, the valve shifts to open ② to ①.



X	ADJUSTMENTS	
03	Leakproof hex. and Socket Screw	

Y	SPRINGS			
	Press. range bar	Press. increase bar/turn	Standard setting bar	Cracking press. bar
05	3~30		30	
10	5~60		50	
15	10~100		80	
20	20~160		100	