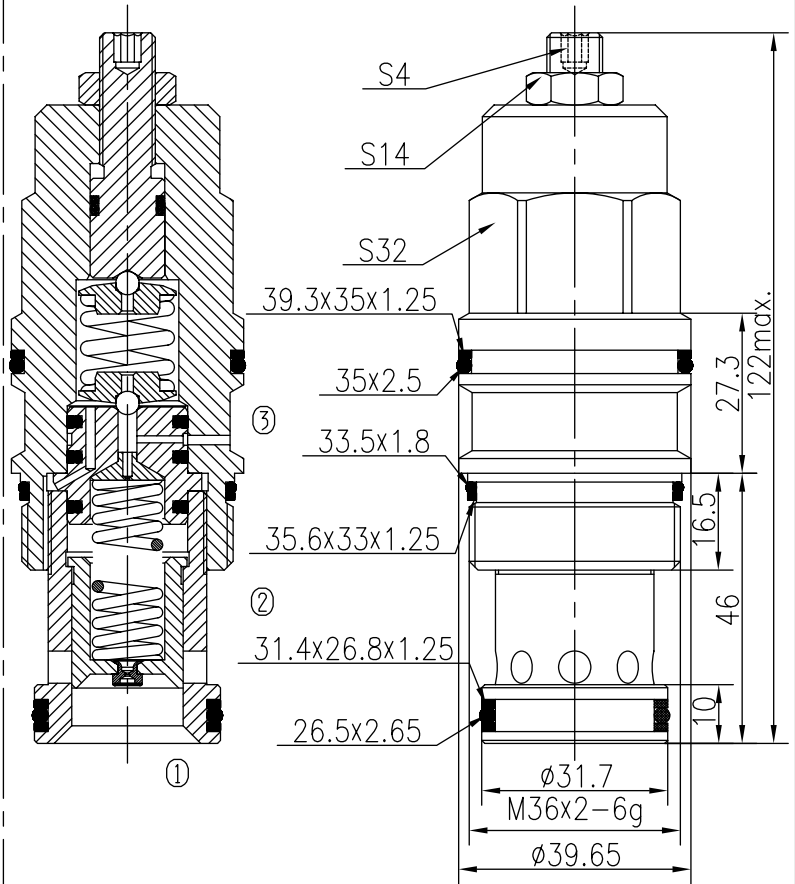
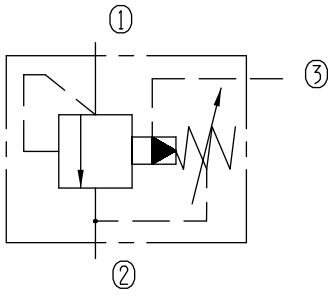


# Remote Control Relief Valves (Spool-type)

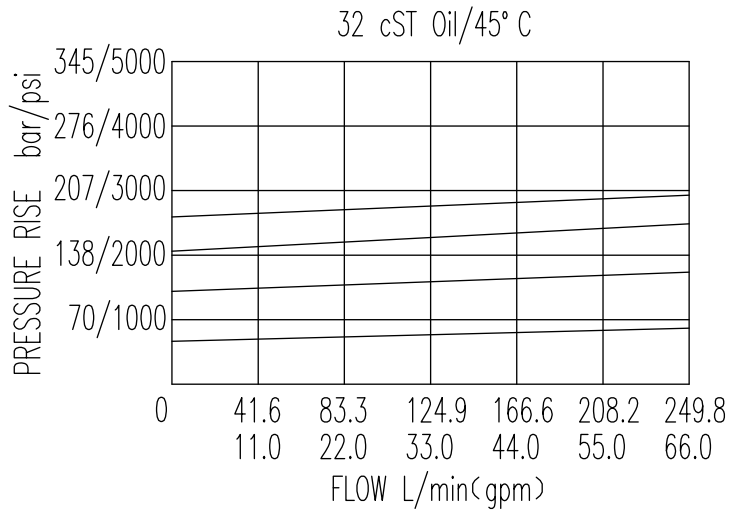
BXYF16GA-00/X.Y



## Specifications:

Max working Pressure :	350bar
Flow Max :	240L/min
Internal Leakage :	<120ml/min (85% of Setting Pressure at 30L/min)
Filtration Of Oil :	25μm or better
Temperature :	-30~+110℃ (Standard Buna Seals)
Cavity :	T-17A
Installation torque :	200~215Nm

The valve blocks flow from ① to ② until 90% pressure is present at ③. With the continued increase pressure on ③, ③ to ② began to overflow, until to the spring's maximum pressure.



X	ADJUSTMENTS	
03	Leakproof hex. and socket screw	

Y	SPRINGS			
	Press. range bar	Press. increase bar/turn	Standard setting bar	Cracking press. bar
05	19~78	29	60	50
10	55~126	45	120	105
15	116~250	86	210	182
20	175~350	128	250	220