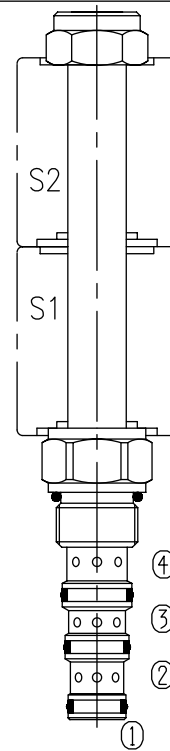


# Four Way Three Position (Spool-type)

BST10-340

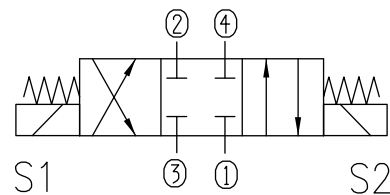
## Description of the process

When de-energized, the valve blocks flow to all ports;  
 When S1 is energized, the valve allows flow between ③ to ④, as well as ② to ①.  
 When S2 is energized, the valve allows flow between ③ to ②, as well as ④ to ①.

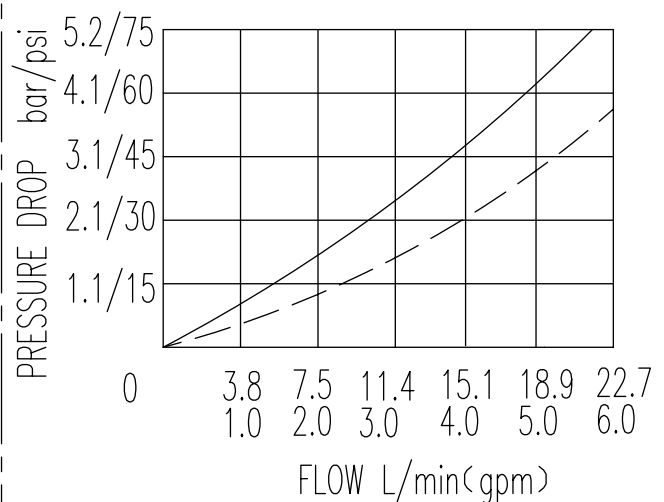
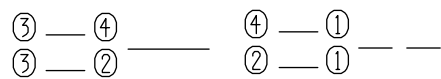


|                         |                                  |
|-------------------------|----------------------------------|
| Specifications:         | 210bar                           |
| Max. Working Pressure   | See Performance                  |
| Internal Leakage        | <300ml/min at 210bar             |
| Operating Volt          | 12VDC, 24VDC, 110VAC, 220VAC     |
| Min Voltage Requires    | 85% of normal voltage            |
| Filtration Of Oil       | 20μm or better                   |
| Type of Standard Cavity | T5-3                             |
| Temperature             | -30~+100℃<br>Standard Buna Seals |
| Standard Block Model    | T5-31*/33*/34*/36*               |

Symbol:



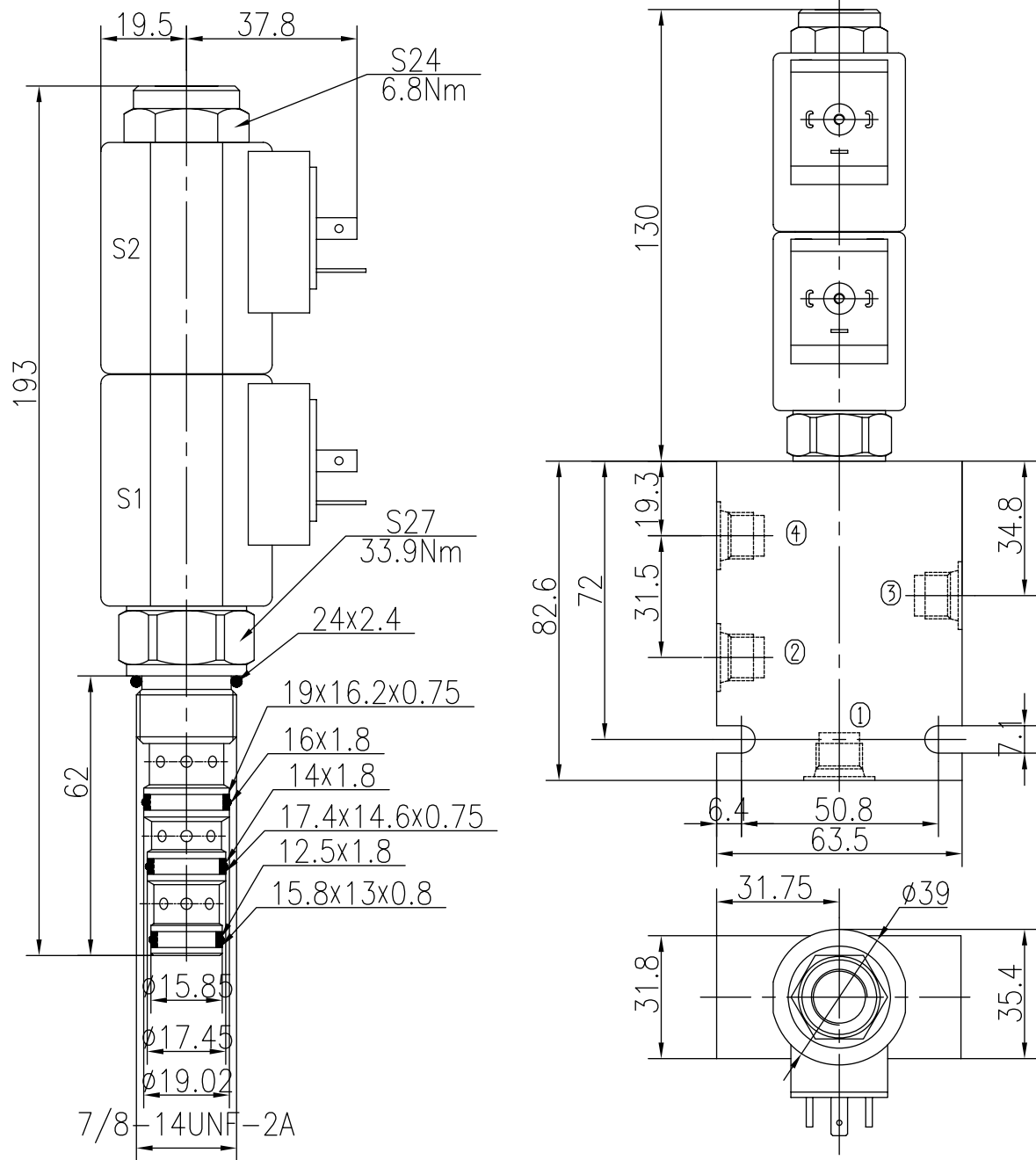
Characteristic: 32 cST Oil/40°C



# Four Way Three Position (Spool-type)

BST10-340

Profile dimensions



TO ORDER

BST10-340

Solenoid Valve  
Function

Body Porting

Omit for Cartridge only

G1/4 4G  
G3/8 8G  
SAE4 4T  
SAE6 6T

Seals

Buna(Std.)

Fluorocarbon

Voltage

12 12VDC  
24 24VDC  
110 110VAC  
220 220VAC

Connection

DL Double Leads

DH Electrical Outlet