

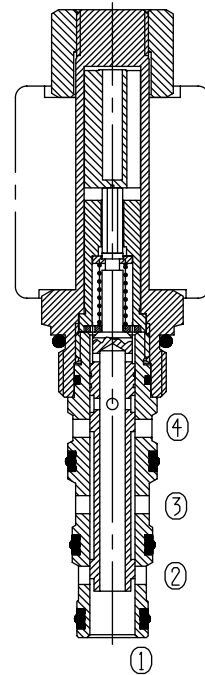
Four Way Two Position (Spool-type)

BST08-242

Description of the process

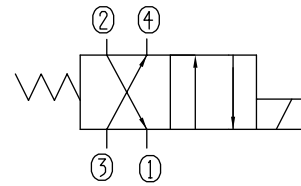
When de-energized, the valve allows flow from ③ to ④, and ② to ①;

When energized, the valve allows flow between ③ to ②, as well as ④ to ①.



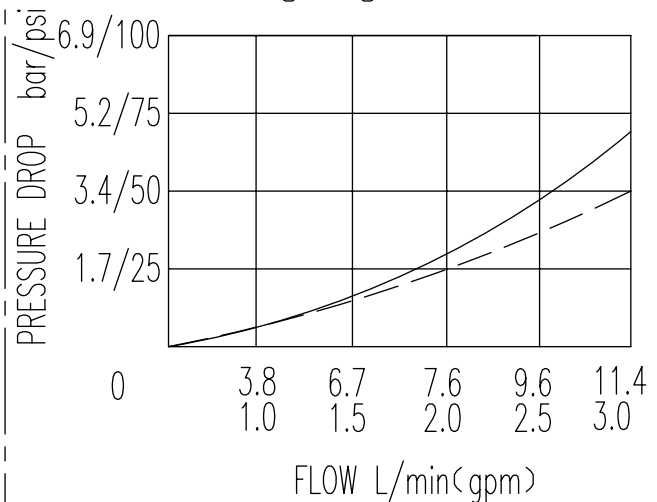
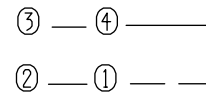
Specifications:	210bar
Max. Working Pressure	See Performance
Flow Max.	<80ml/min at 210bar
Operating Volt	12VDC, 24VDC, 110VAC, 220VAC
Min Voltage Requires	85% of normal voltage
Filtration Of Oil	20μm or better
Type of Standard Cavity	T4-3
Temperature	-30~+100℃ Standard Buna Seals
Standard Block Model	T4-31*/33*/34*/36*

Symbol:



Characteristic:

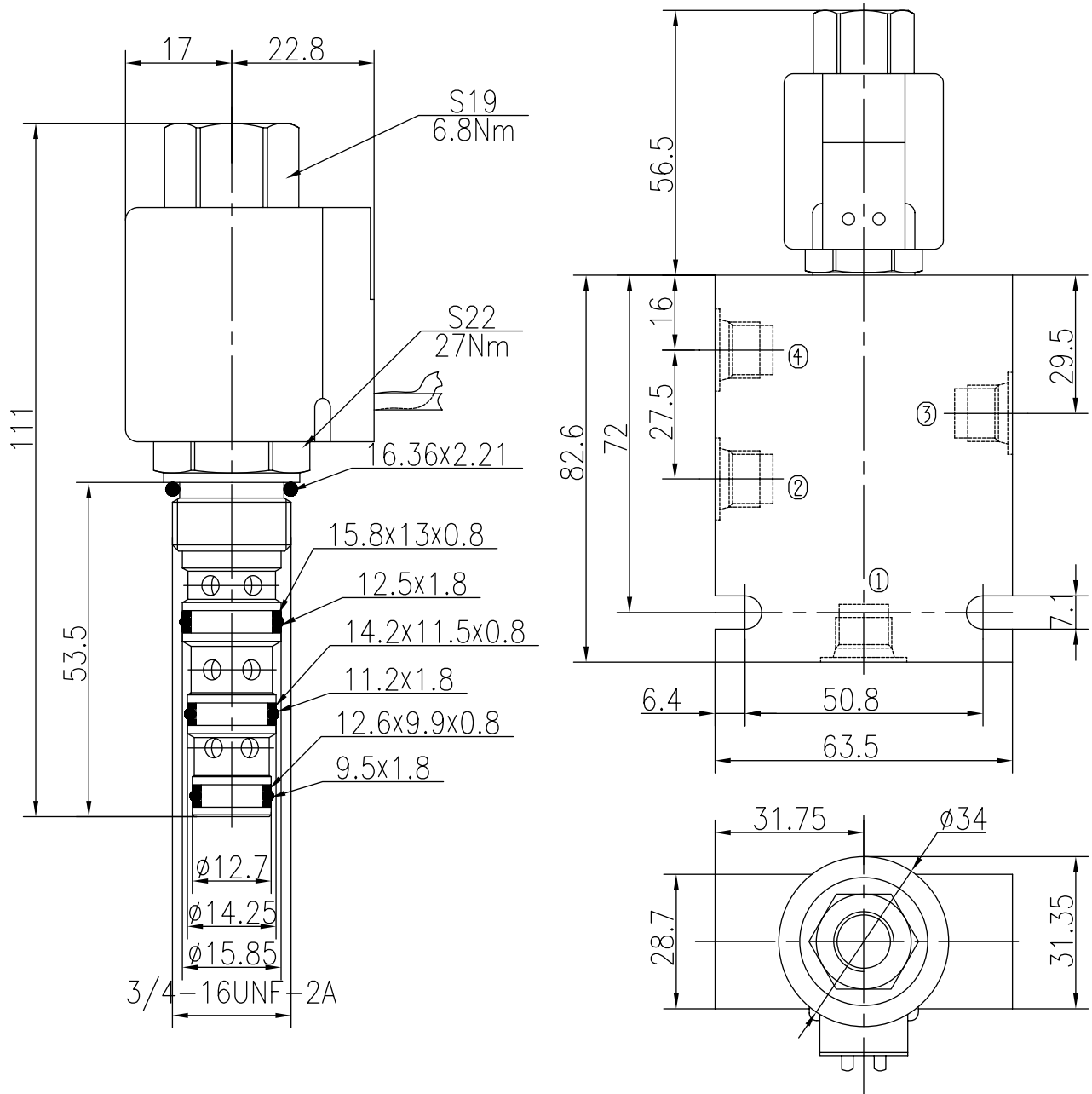
32 cST Oil/40°C



Four Way Two Position (Spool-type)

BST08-242

Profile dimensions



TO ORDER

BST08 -242

Solenoid Valve
Function

Body Porting

Omit for Cartridge only

G1/4 4G
G3/8 8G
SAE4 4T
SAE6 6T

Seals

Buna(Std.) N

Fluorocarbon V

Voltage

12 12VDC
24 24VDC
110 110VAC
220 220VAC

Connection

DL Double Leads
DH Electrical Outlet