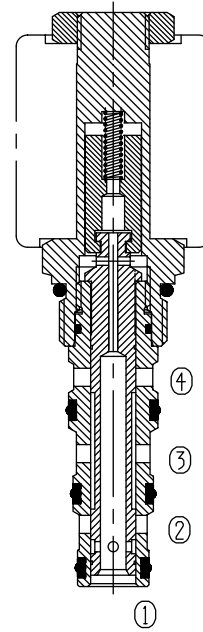


# Four Way Two Position (Spool-type)

BST08-240

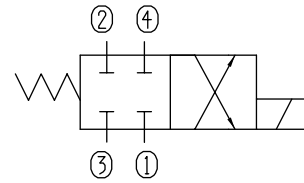
## Description of the process

When de-energized, the valve blocks flow to all ports;  
 When energized, the valve allows flow between ③ to ④, as well as ② to ①.

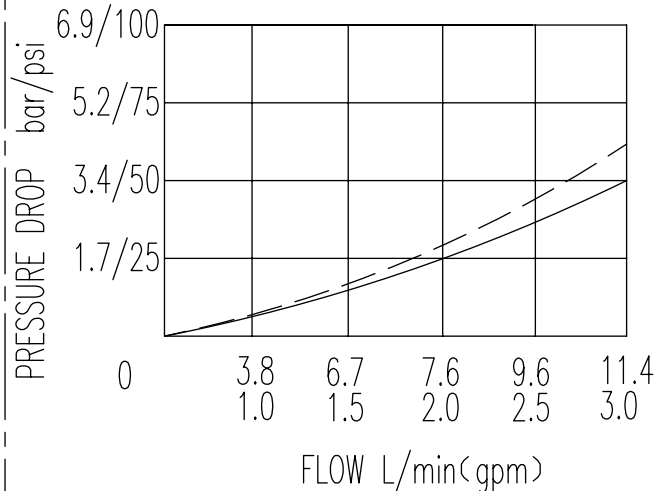
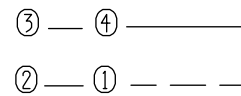


Specifications:	210bar
Max. Working Pressure	See Performance
Flow Max.	<80ml/min at 210bar
Operating Volt	12VDC, 24VDC, 110VAC, 220VAC
Min Voltage Requires	85% of normal voltage
Filtration Of Oil	20μm or better
Type of Standard Cavity	T4-3
Temperature	-30~+100℃ Standard Buna Seals
Standard Block Model	T4-31*/33*/34*/36*

Symbol:



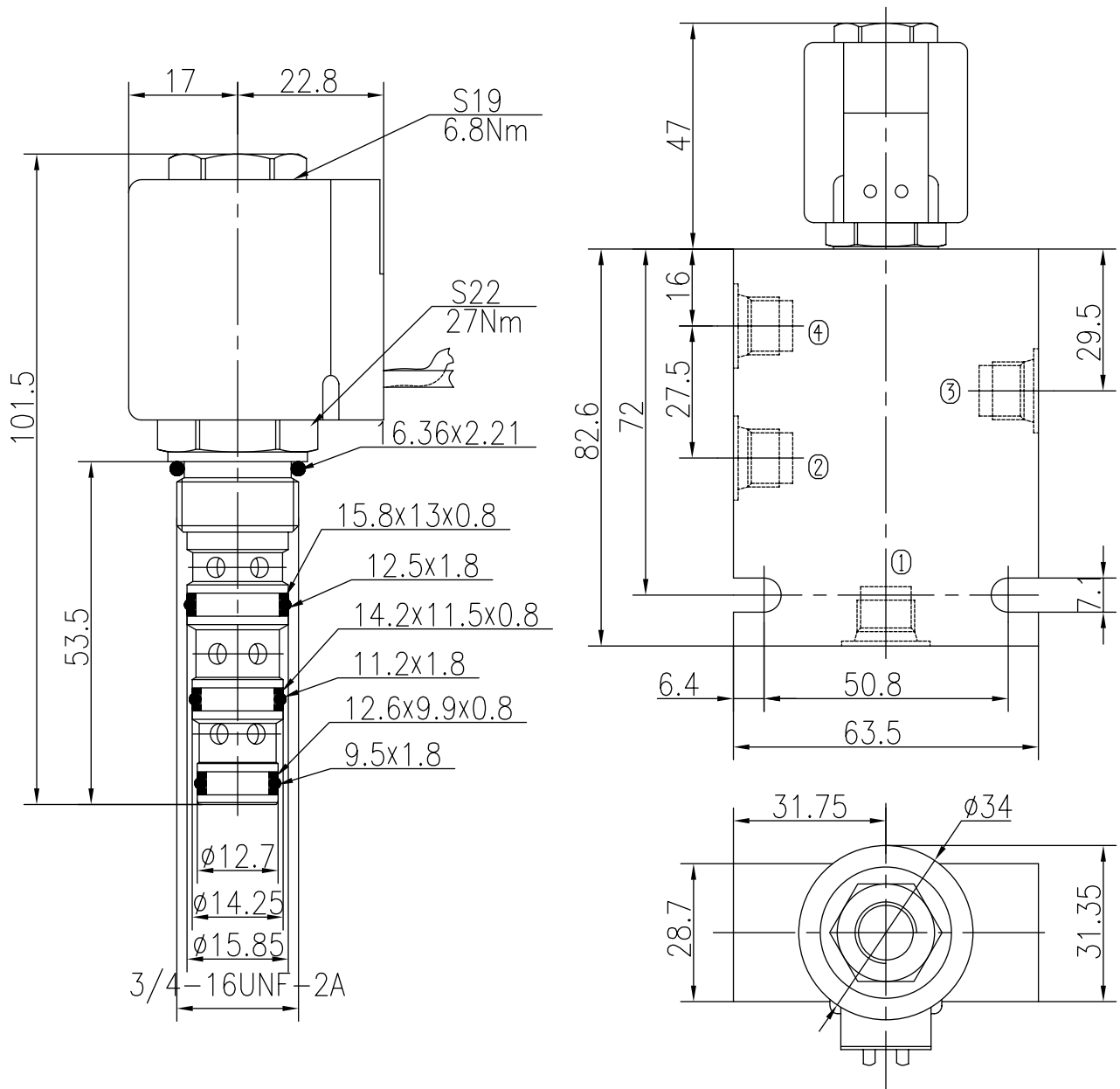
Characteristic: 32 cST Oil/40°C



# Four Way Two Position (Spool-type)

BST08-240

Profile dimensions



TO ORDER

BST08 -240

Solenoid Valve  
Function

Body Porting

Omit for Cartridge only

G1/4 4G  
G3/8 8G  
SAE4 4T  
SAE6 6T

Seals

Buna(Std.) N

Fluorocarbon V

Voltage

12 12VDC  
24 24VDC  
110 110VAC  
220 220VAC

Connection

DL Double Leads  
DH Electrical Outlet