

Three Way Two Position (Spool-type)

BST08S-232

Description of the process

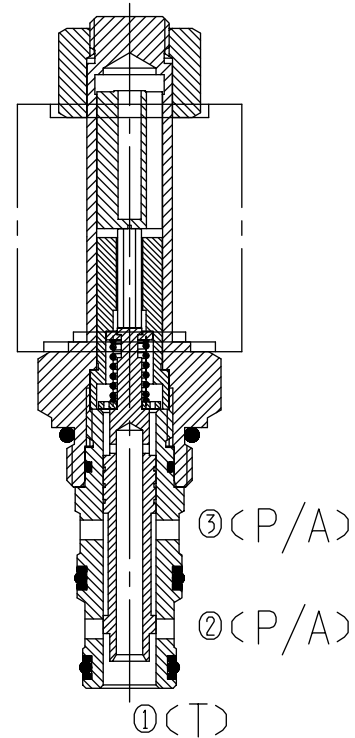
When de-energized, the valve allows flow from ① to ②, while blocking flow at ③;

When energized, the valve allows flow from ② to ③, while blocking flow at ①.

P----- (PRESSURE PORT)

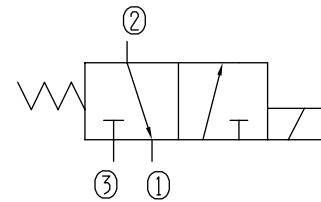
A----- (WORKING PORT)

T----- (TANK PORT)



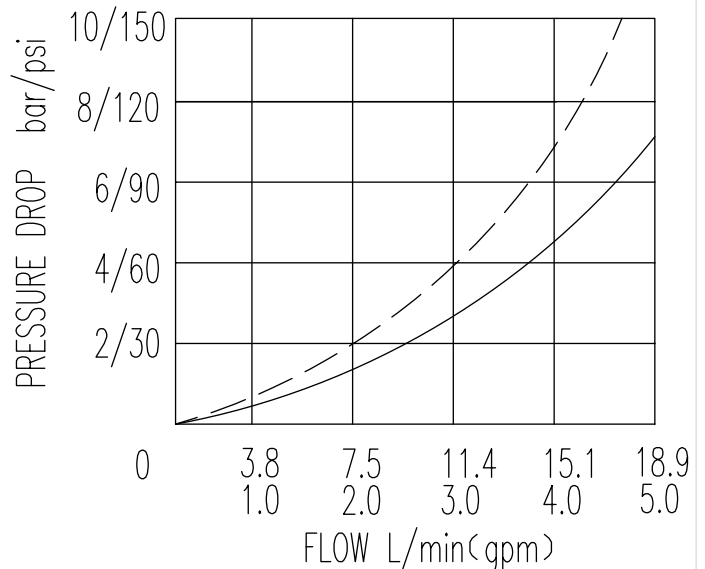
Specifications:	210bar
Max. Working Pressure	See Performance
Flow Max.	<80ml/min at 210bar
Operating Volt	12VDC, 24VDC, 110VAC, 220VAC
Min Voltage Requires	85% of normal voltage
Filtration Of Oil	20μm or better
Type of Standard Cavity	T4-2
Temperature	-30~+100℃ Standard Buna Seals
Standard Block Model	T4-21*/23*/24*/26*

Symbol:



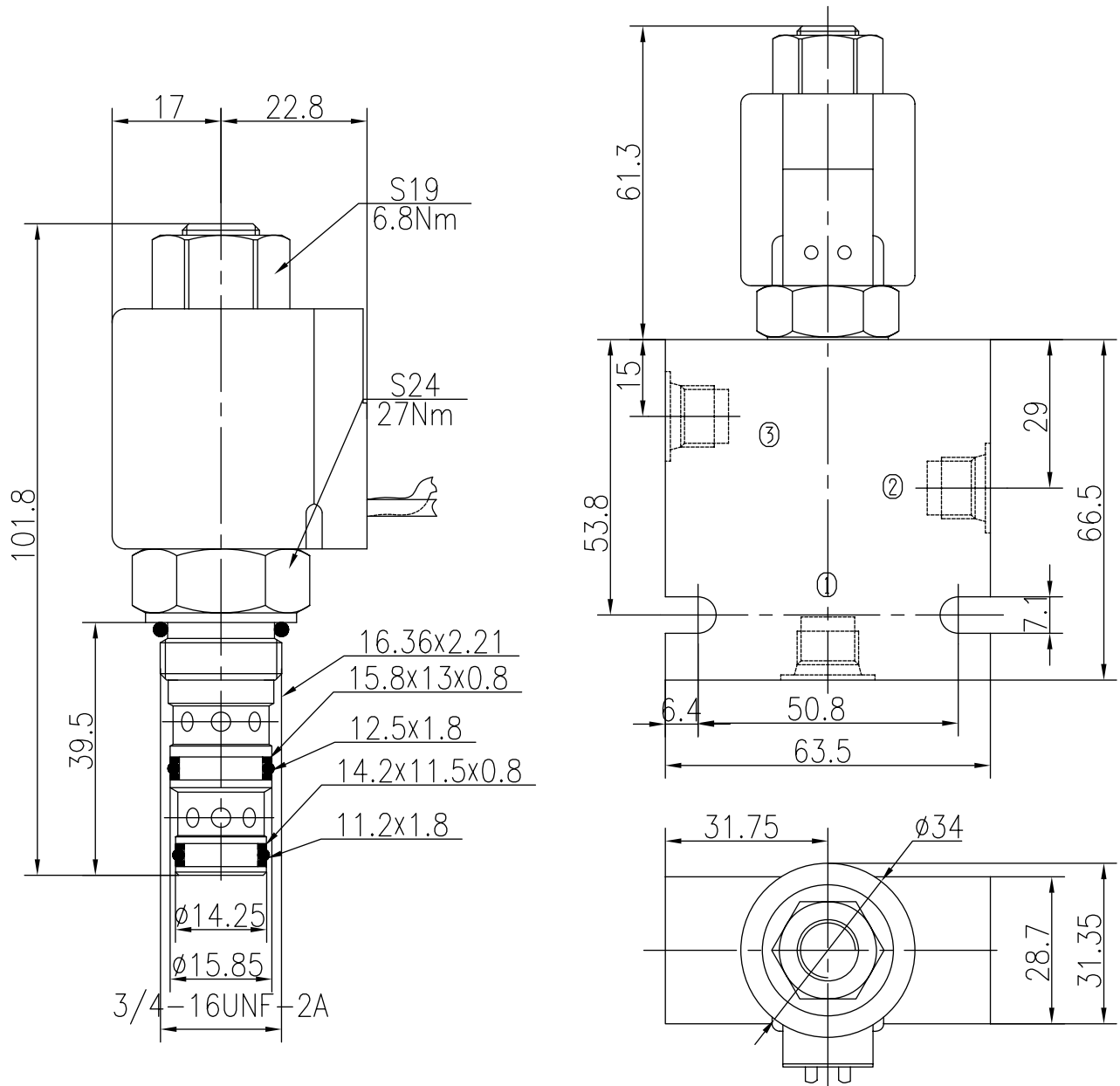
Characteristic: 32 cST Oil/40°C

② — ① ——— (d)
③ — ② — — (e)



Three Way Two Position (Spool-type)

BST08S-232 Profile dimensions



TO ORDER

BST08S -232 - - - -

Solenoid Valve
Function

Body Porting

Omit for Cartridge only

G1/4 4G
G3/8 8G
SAE4 4T
SAE6 6T

Seals

Buna(Std.) N

Fluorocarbon V

Voltage

12 12VDC
24 24VDC
110 110VAC
220 220VAC

Connection

DL Double Leads
DH Electrical Outlet