

# Three Way Two Position (Spool-type)

BST08S-230

## Description of the process

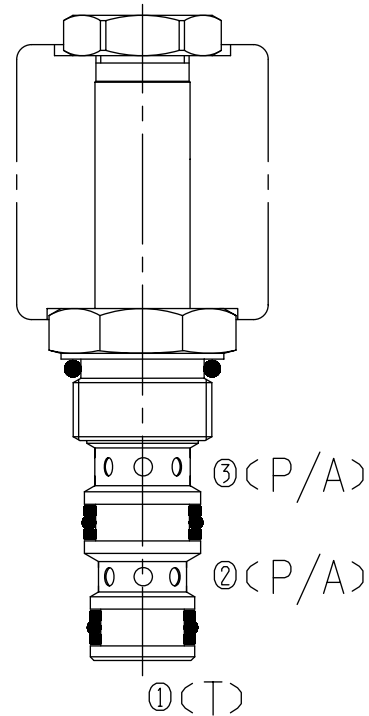
When de-energized, the valve allows flow from ② to ③, while blocking flow at ①;

When energized, the valve allows flow from ① to ②, while blocking flow at ③.

P--- (PRESSURE PORT)

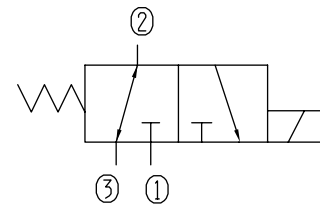
A--- (WORKING PORT)

T--- (TANK PORT)



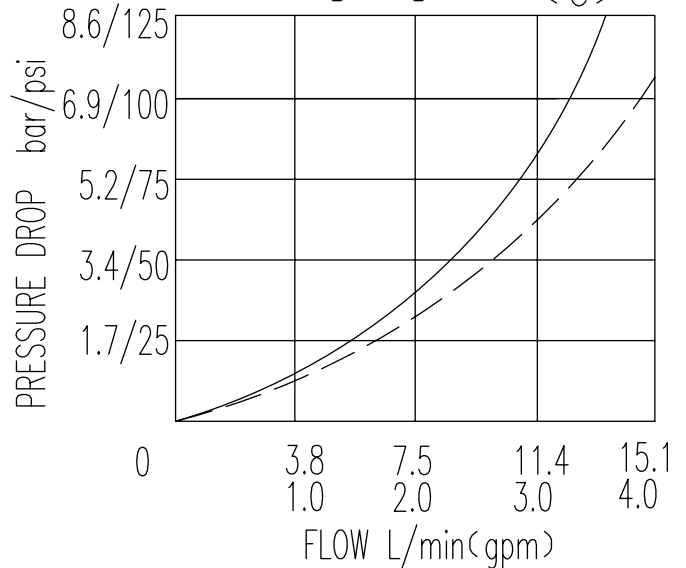
Specifications:	210bar
Max. Working Pressure	See Performance
Flow Max.	<80ml/min at 210bar
Operating Volt	12VDC, 24VDC, 110VAC, 220VAC
Min Voltage Requires	85% of normal voltage
Filtration Of Oil	20μm or better
Type of Standard Cavity	T4-2
Temperature	-30~+100°C Standard Buna Seals
Standard Block Model	T4-21*/23*/24*/26*

Symbol:



Characteristic: 32 cST Oil/40°C

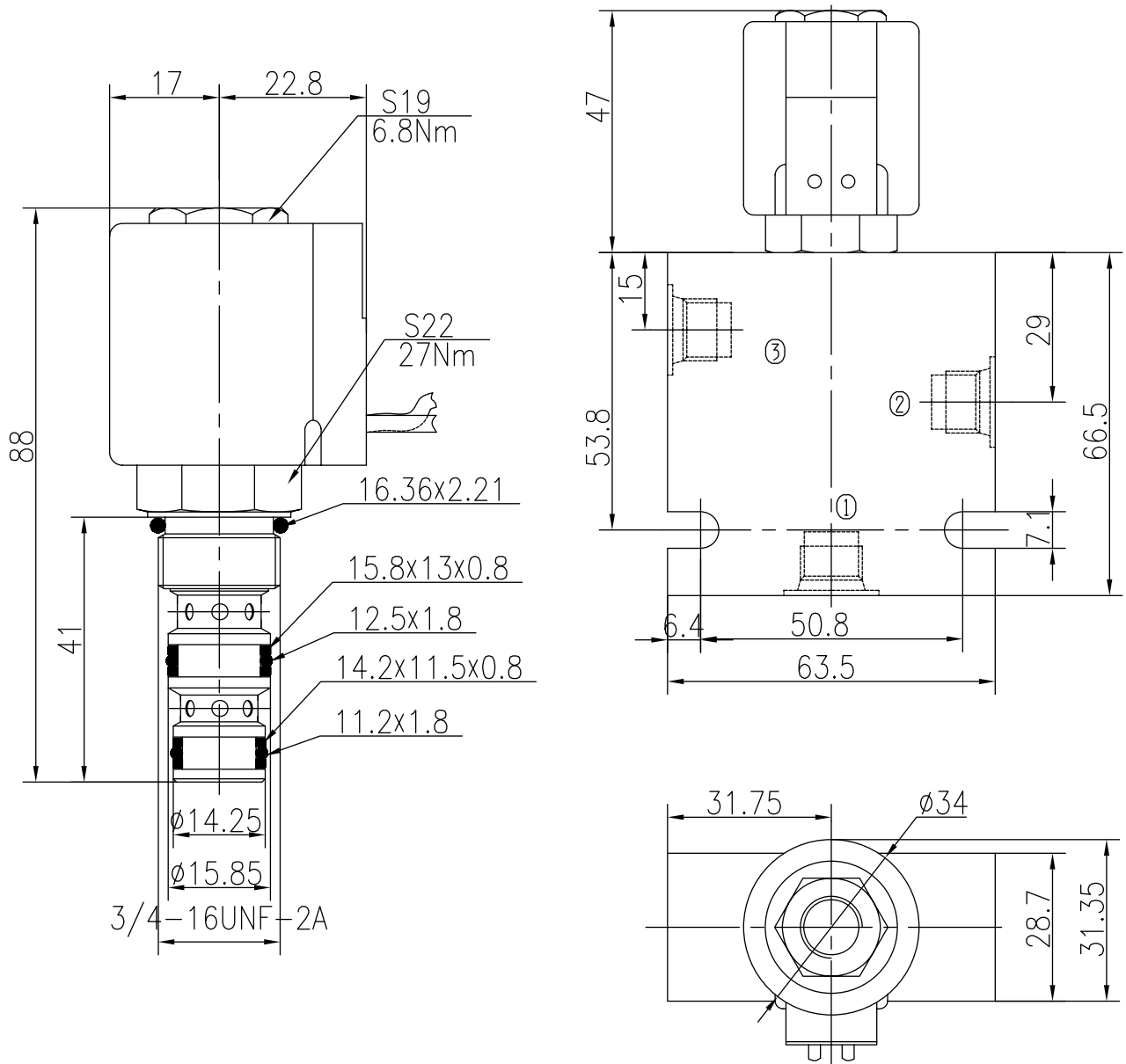
② — ③ ——— (d)  
② — ① ——— (e)



# Three Way Two Position (Spool-type)

BST08S-230

Profile dimensions



TO ORDER

BST08S-230

Solenoid Valve  
Function

Body Porting

Omit for Cartridge only

G1/4 4G  
G3/8 8G  
SAE4 4T  
SAE6 6T

Seals

Buna(Std.) N

Fluorocarbon V

Voltage

12 12VDC  
24 24VDC  
110 110VAC  
220 220VAC

Connection

DL Double Leads  
DH Electrical Outlet