

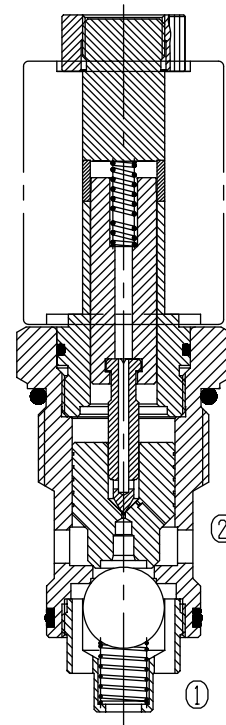
Two Way Two Position (Poppet-type)

BST16S-229

Normally Closed

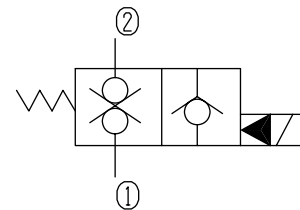
Description of the process

When de-energized, the valve blocks flow in both directions,
 When energized, allowing flow from ② to ①, while ① to ② remains closed.

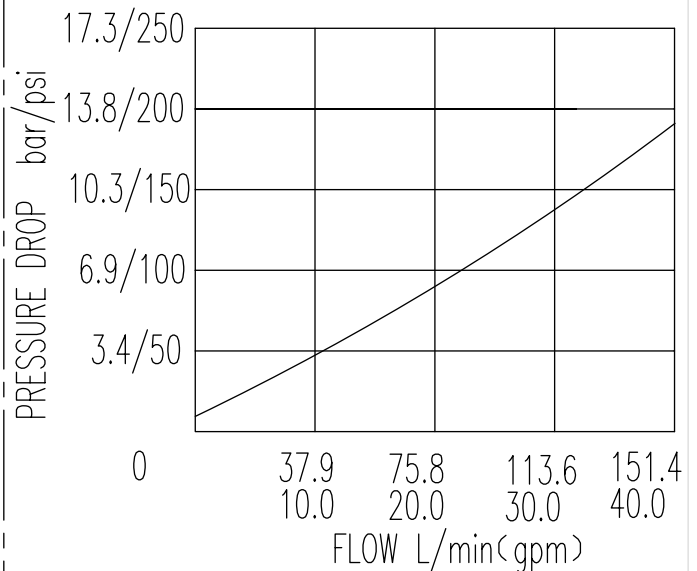


Specifications:	250bar
Max. Working Pressure	See Performance
Flow Max.	0.3ml/min at 210bar
Internal Leakage	5drops/min
Operating Volt	12VDC, 24VDC, 110VAC, 220VAC
Min Voltage Requires	85% of normal voltage
Filtration Of Oil	20µm or better
Type of Standard Cavity	T7-S1S
Temperature	-30~+100°C Standard Buna Seals

Symbol:



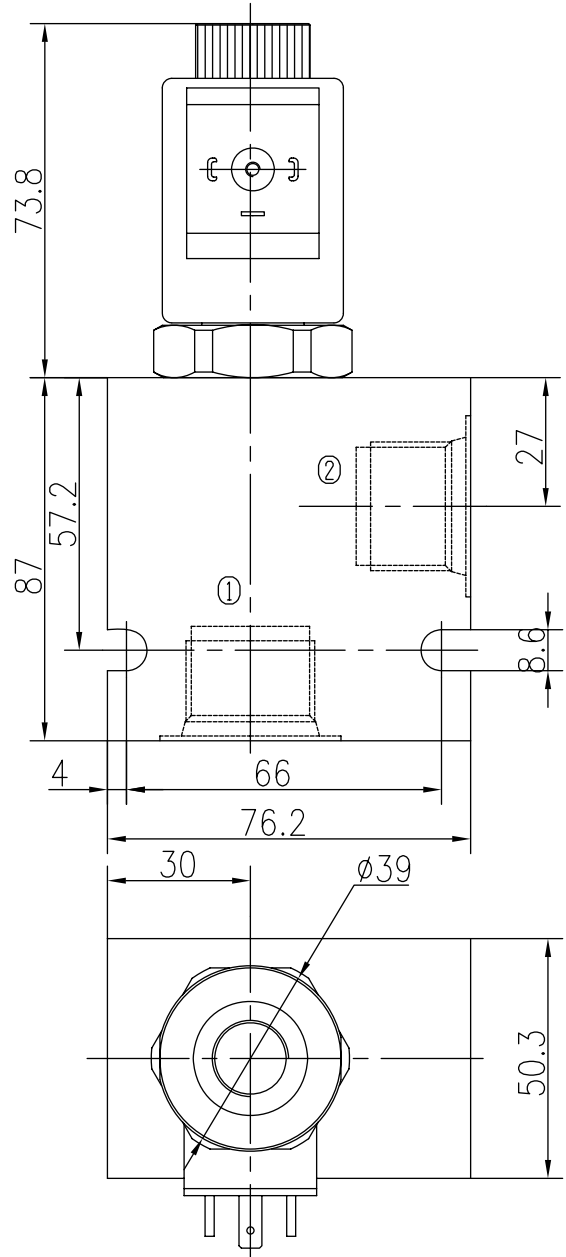
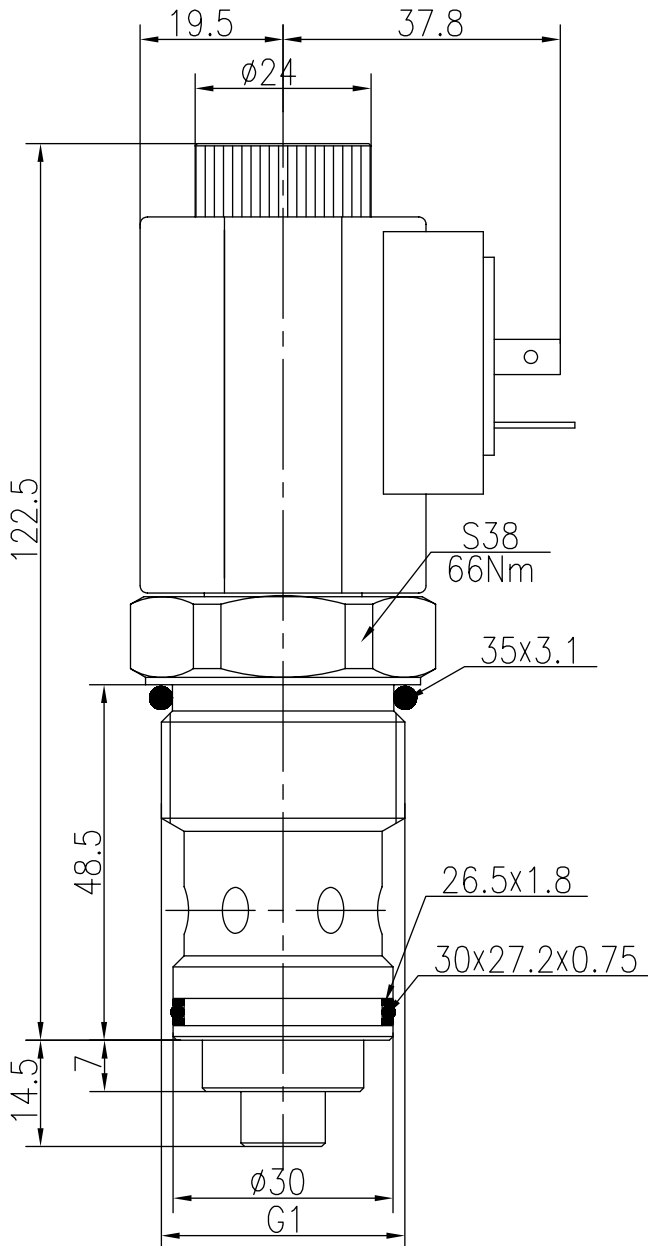
Characteristic: 32 cST Oil/40°C



Two Way Two Position (Poppet-type)

BST16S-229 Normally Closed

Profile dimensions



TO ORDER

BST16S -229

Solenoid Valve
Function

Body Porting

Omit for Cartridge only

G3/4 5G
G1 6G
SAE10 10T
SAE12 12T

Seals

Buna(Std.) N

Fluorocarbon V

Voltage

12 12VDC
24 24VDC
110 110VAC
220 220VAC

Connection

DL Double Leads
DH Electrical Outlet