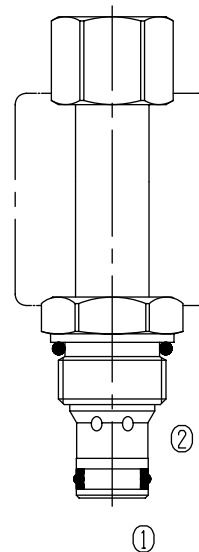


# Two Way Two Position (Poppet-type)

BST08-227 Bidirectional Normally Open

## Description of the process

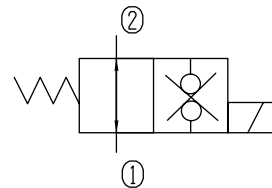
When energized, the valve blocks flow in both directions. When de-energized, allowing flow from ② to ① and ① to ②.



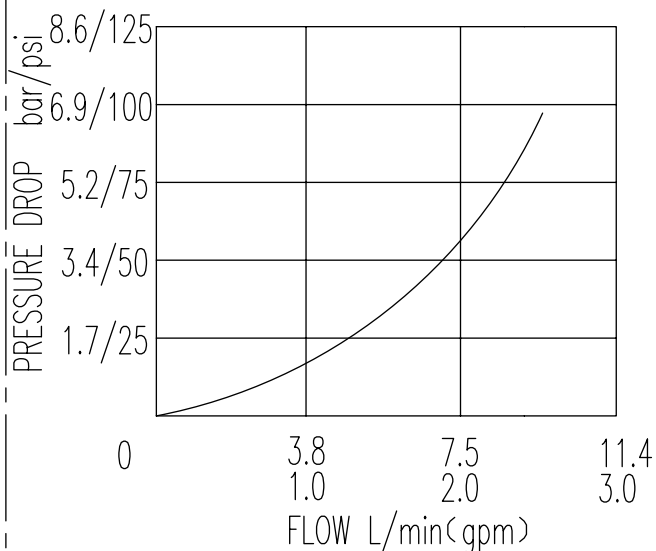
## Specifications:

Max. Working Pressure	250bar
Flow Max.	See Performance
Internal Leakage	0.3ml/min at 210bar 5drops/min
Operating Volt	12VDC, 24VDC, 110VAC, 220VAC
Min Voltage Requires	85% of normal voltage
Filtration Of Oil	20μm or better
Type of Standard Cavity	T4-1
Temperature	-30~+100℃ Standard Buna Seals
Standard Block Model	T4-11*/13*/14*/16*

## Symbol :



## Flow Characteristic: 32 cST Oil/40°C

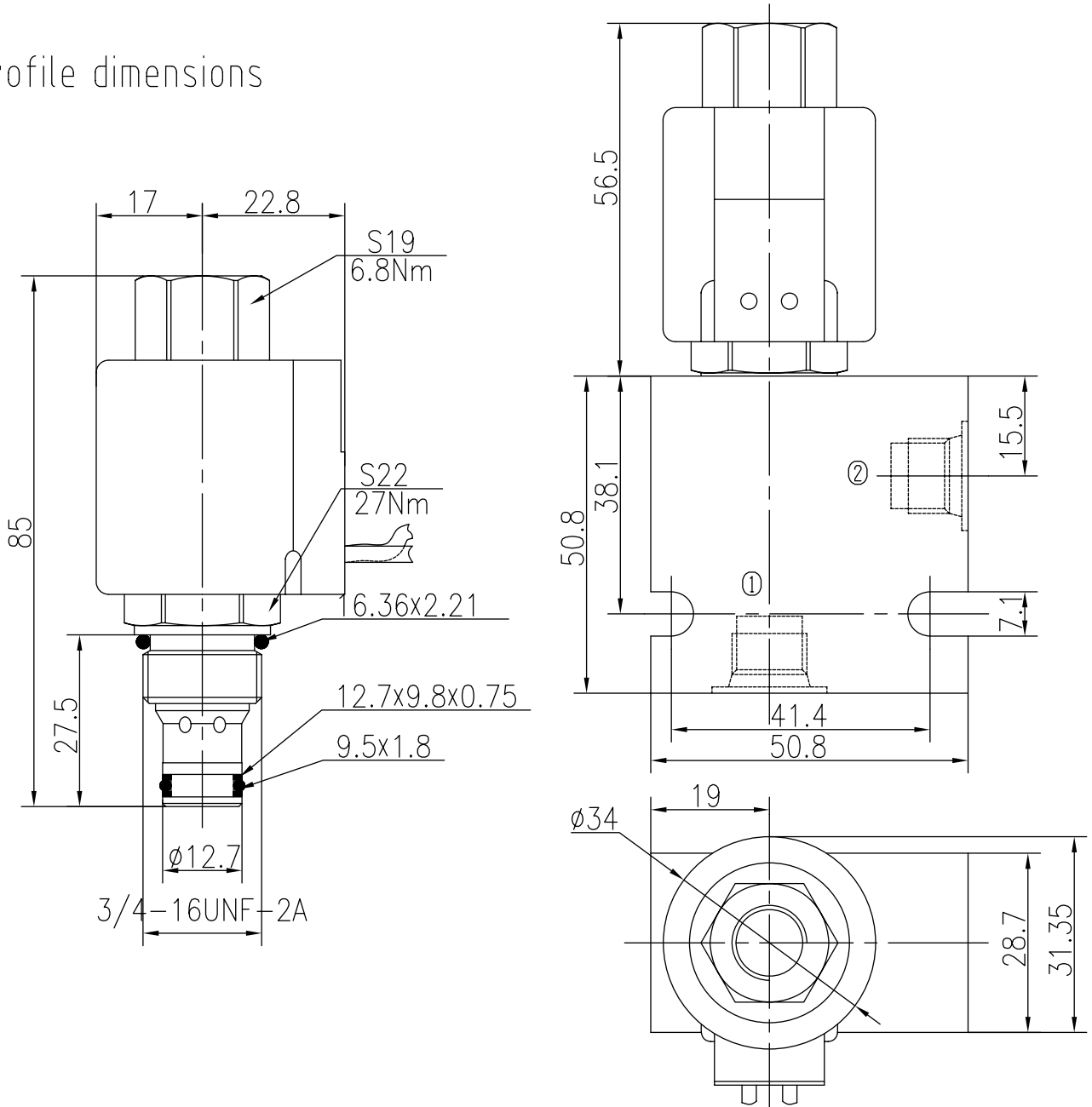


# Two Way Two Position (Poppet-type)

BST08-227

Bidirectional Normally Open

## Profile dimensions



TO ORDER

BST08-227

Solenoid Valve

Function

None(Blank)

Manual Override H

Body Porting

Omit for Cartridge only

G1/4 4G

G3/8 8G

SAE4 4T

SAE6 6T

Seals

Buna(Std.) N

Fluorocarbon V

Voltage

12 12VDC

24 24VDC

110 110VAC

220 220VAC

Connection

DL Double Leads

DH Electrical Outlet