

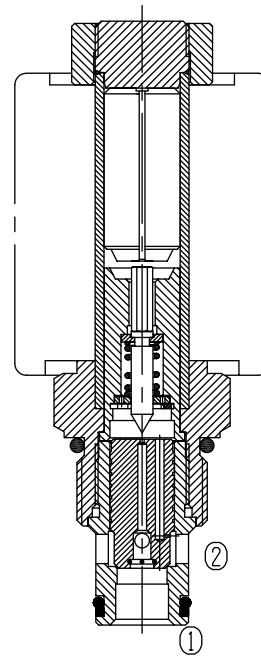
# Two Way Two Position (Poppet-type)

BST10-223

Normally Open

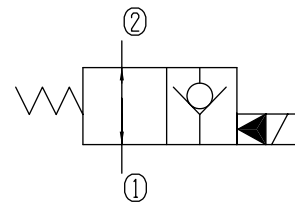
## Description of the process

When energized, the valve acts as a check valve, allowing flow from ② to ①, while blocking flow from ② to ①; When de-energized, allowing flow from ② to ① and ① to ②. To override, push button and remain, the valve blocking flow from ② to ①; Release the button, then the valve allowing flow from ② to ① and ① to ②.



Specifications:	250bar
Max. Working Pressure	See Performance
Flow Max.	0.3ml/min at 210bar
Internal Leakage	5drops/min
Operating Volt	12VDC, 24VDC, 110VAC, 220VAC
Min Voltage Requires	85% of normal voltage
Filtration Of Oil	20μm or better
Type of Standard Cavity	T5-1
Temperature	-30~+100℃ Standard Buna Seals
Standard Block Model	T5-11*/13*/14*/16*

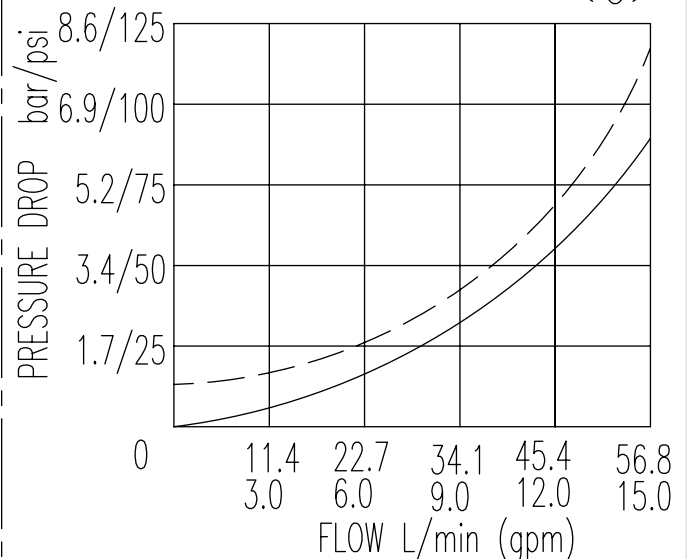
Symbol:



Characteristic: 32 cST Oil/40°C

② — ① — (d)

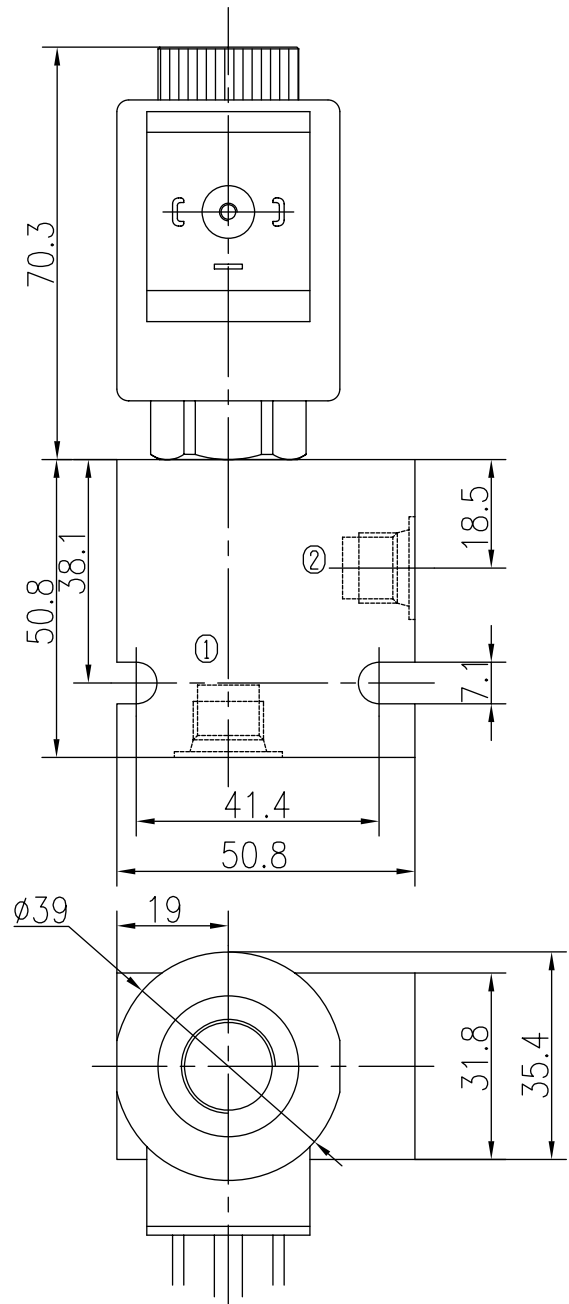
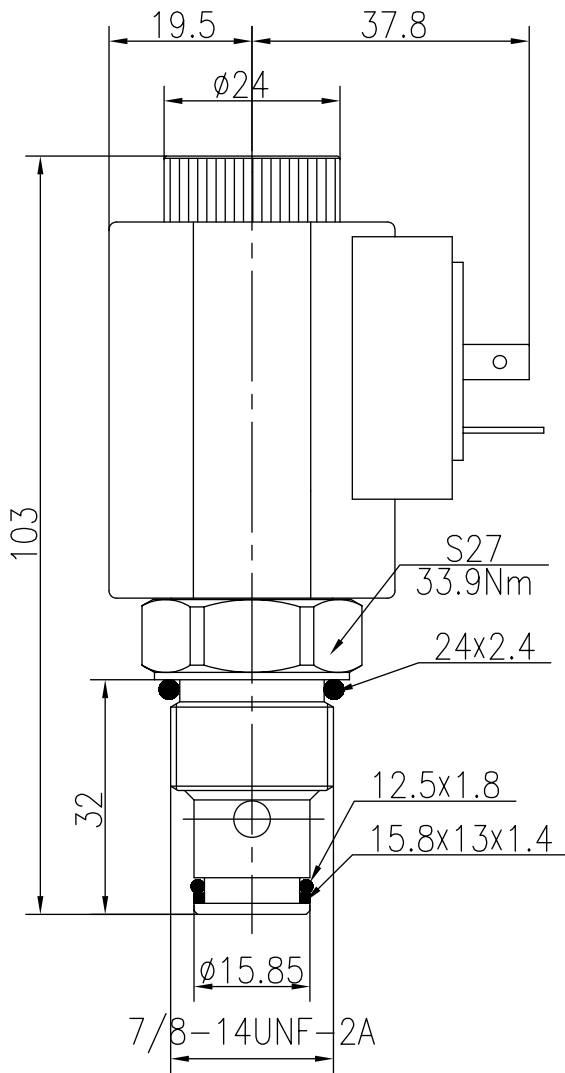
① — ② — (e)



# Two Way Two Position (Poppet-type)

BST10-223 Normally Open

## Profile dimensions



TO ORDER

BST10-223

Solenoid Valve

Function

None(Blank)

Manual Override H

Body Porting

Omit for Cartridge only

G1/4 4G  
G3/8 8G  
SAE4 4T  
SAE6 6T

Seals

Buna(Std.) N

Fluorocarbon V

Voltage

12 12VDC

24 24VDC

110 110VAC

220 220VAC

Connection

DL Double Leads

DH Electrical Outlet