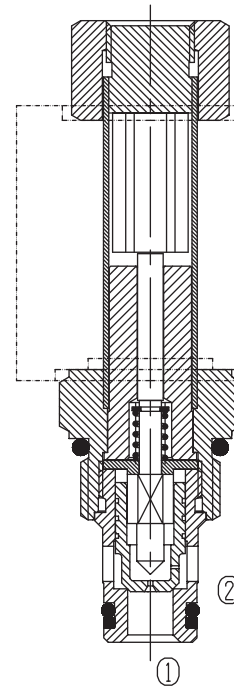


Two Way Two Position (Poppet-type)

BST08-221 Normally Open

Description of the process

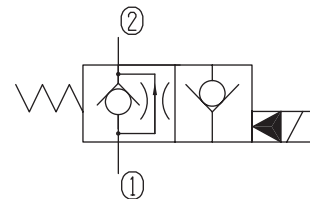
When energized, the valve acts as a check valve, allowing flow from ① to ②, while blocking flow from ② to ①; When de-energized, allowing flow from ② to ①, while ① to ② is severely restricted.



Specifications:

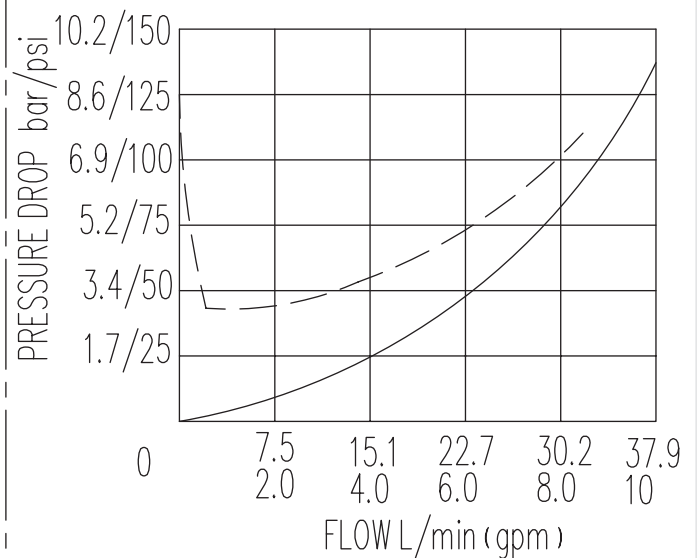
Max. Working Pressure	250bar
Flow Max.	See Performance
Internal Leakage	0.3ml/min at 210bar 5drops/min
Operating Volt	12VDC, 24VDC, 110VAC, 220VAC
Min Voltage Requires	85% of normal voltage
Filtration Of Oil	20μm or better
Type of Standard Cavity	T4-1
Temperature	-30~+100°C Standard Buna Seals
Standard Block Model	T4-11*/13*/14*/16*

Symbol:



Characteristic: 32 cST Oil/40°C

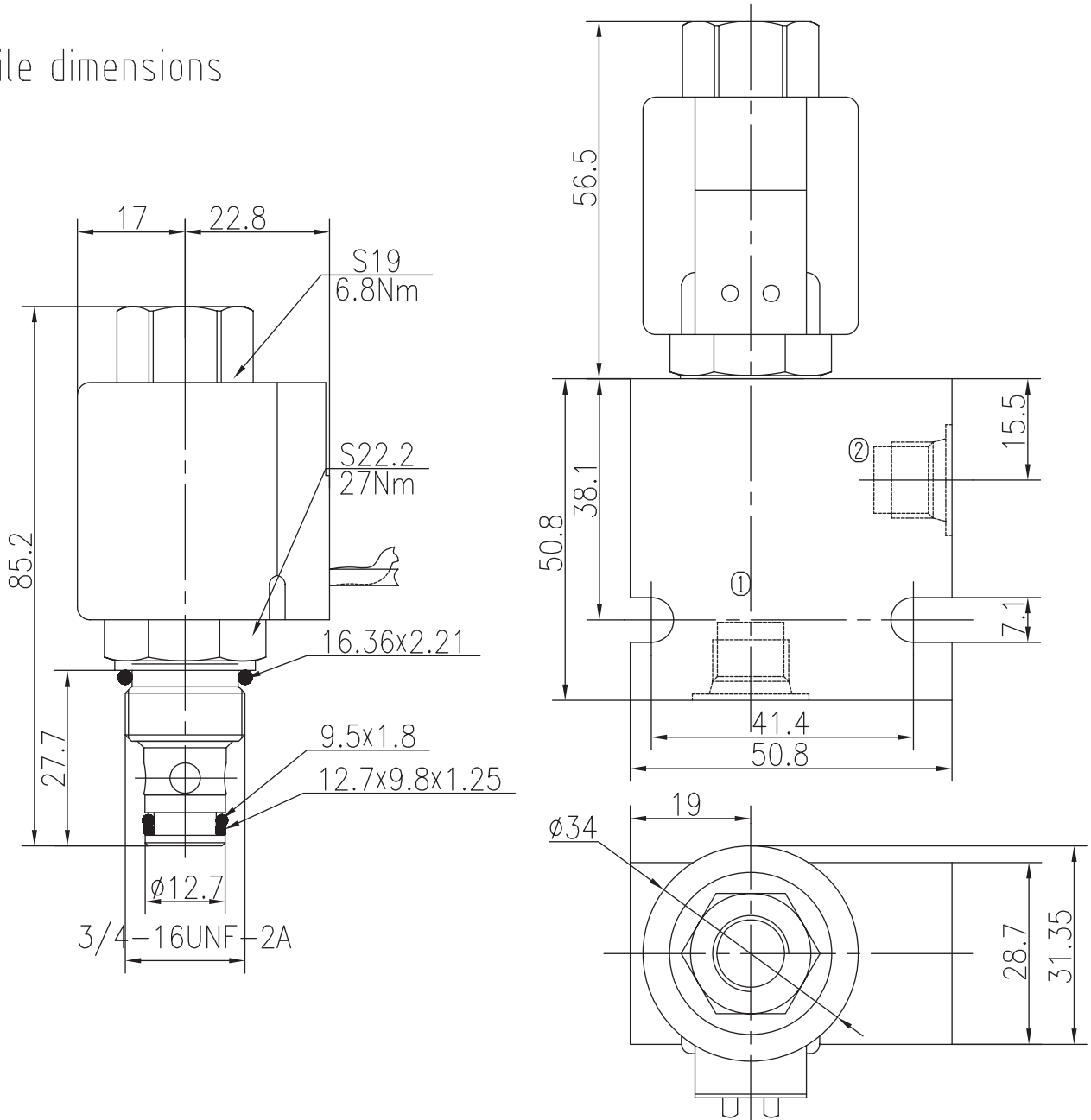
② — ① ——— (d)
① — ② - - - - (e)



Two Way Two Position (Poppet-type)

BST08-221 Normally Open

Profile dimensions



TO ORDER

BST08-221

Solenoid Valve
Function

Body Porting

Omit for Cartridge only

G1/4 4G
G3/8 8G
SAE4 4T
SAE6 6T

Seals

Buna(Std.) N

Fluorocarbon V

Voltage

12 12VDC
24 24VDC
110 110VAC
220 220VAC

Connection

DL Double Leads
DH Electrical Outlet