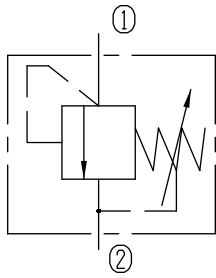


Directly Operated Relief Valves (Poppet-type)

BYF04-06/X.Y



Specifications:

Max working Pressure : 350bar

Flow Max : 4.5L/min

Internal Leakage : <30ml/min

(75~85% of Setting Pressure at 2L/min)

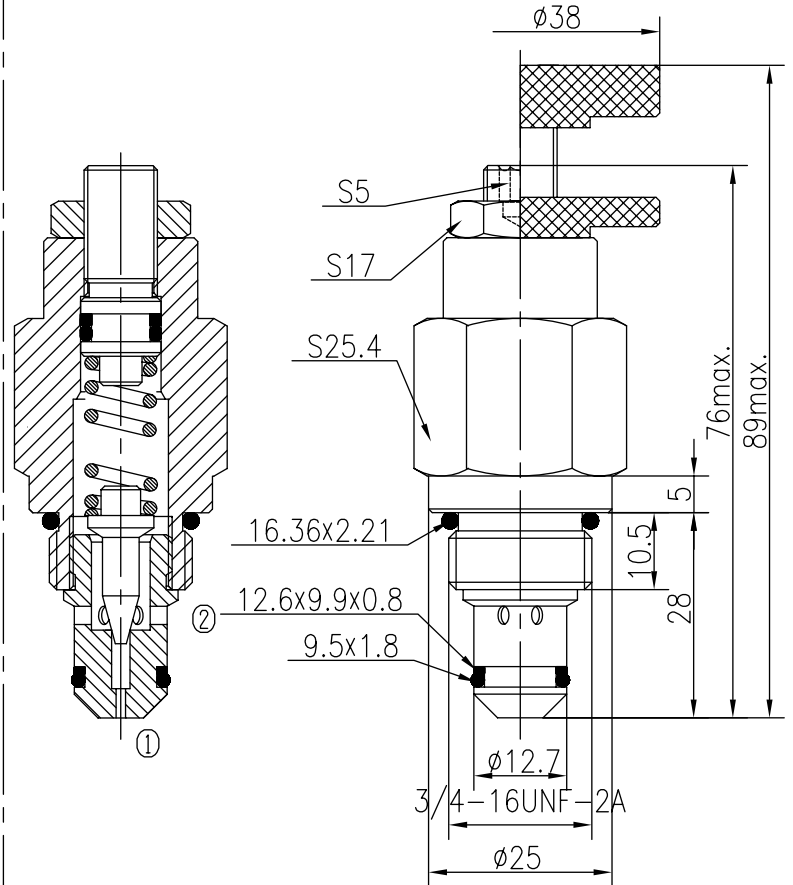
Filtration Of Oil : 25µm or better

Temperature : -30~+100°C

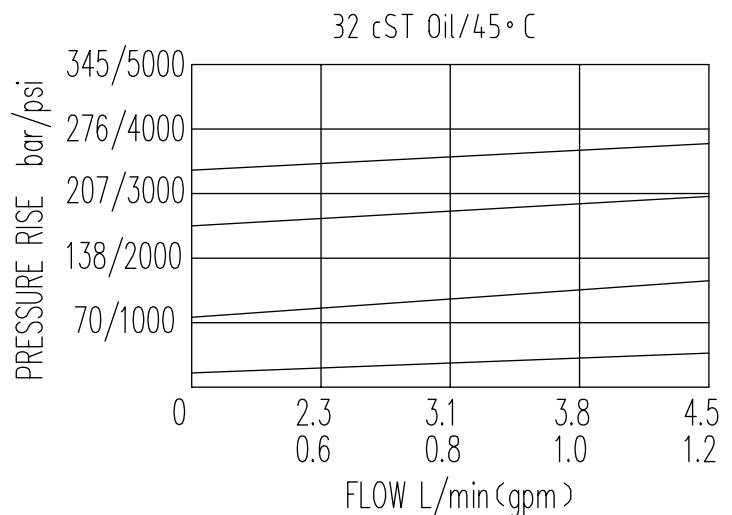
(Standard Buna Seals)

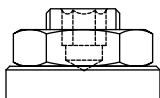
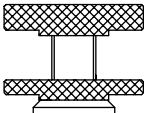
Cavity : T4-1(See Page 7.1.1)

Installation torque : 24.5~27.2Nm



The valve blocks flow from ① to ② until 85% pressure is present at ①. With the continued increase pressure on ①, ① to ② began to overflow, until to the spring's maximum pressure.



X	ADJUSTMENTS	
03	Leakproof hex. and Socket Screw	
05	Alum. Knob and Locking Nut	

Y	SPRINGS			
	Press. range bar	Press. increase bar/turn	Standard setting bar	Cracking press. bar
05	12~47	7.3	35	25
10	34~93	18	80	57
15	72~238	36	200	170
20	210~350	71	250	220