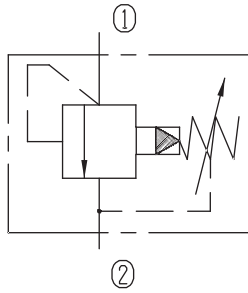


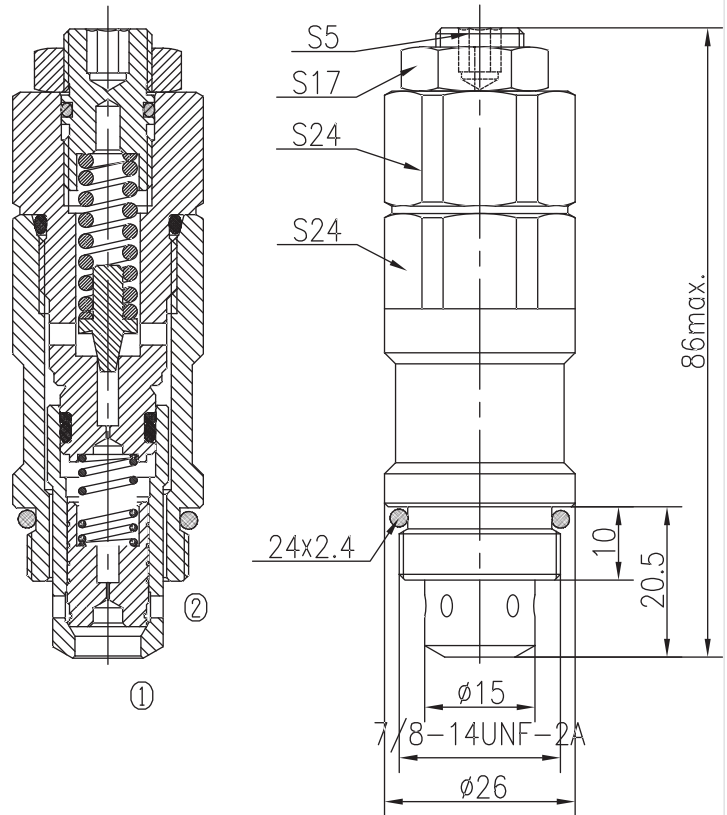
# Pilot-operated Relief Valves (Poppet-type)

BXYF10-11/X.Y

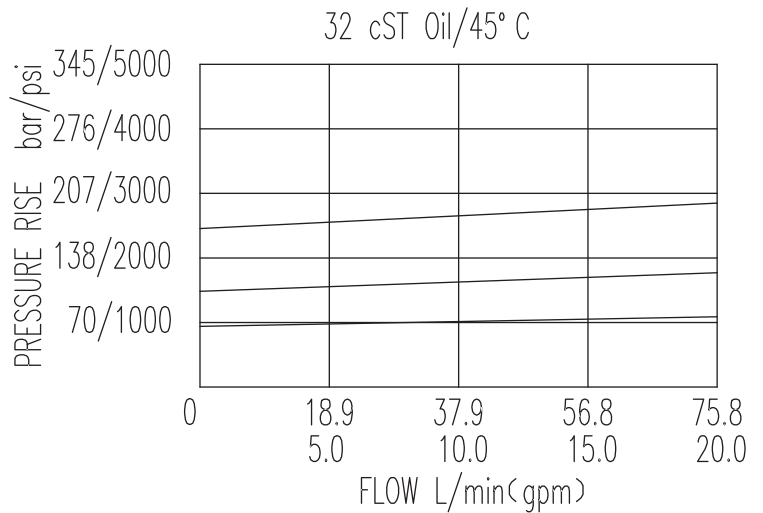


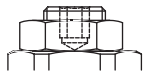
## Specifications:

Max working Pressure :	350bar
Flow Max :	75L/min
Internal Leakage :	<30ml/min (85% of Setting Pressure at 30L/min)
Filtration Of Oil :	25μm or better
Temperature :	-30~+100℃ (Standard Buna Seals)
Cavity :	T-2309
Installation torque :	33.9~36.7Nm



The valve blocks flow from ① to ② until 90% pressure is present at ①. With the continued increase pressure on ①, ② to ③ began to overflow, until to the spring's maximum pressure.



X	ADJUSTMENTS	
03	Leakproof hex. and socket screw	

Y	SPRINGS			
	Press. range bar	Press. increase bar/turn	Standard setting bar	Cracking press. bar
05	23~69	23	80	68
10	45~143	72	120	105
15	128~350	171	180	162