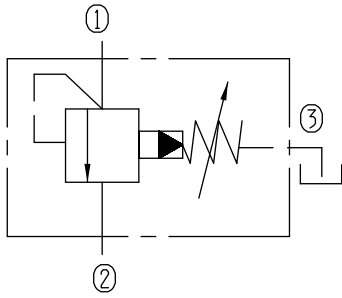


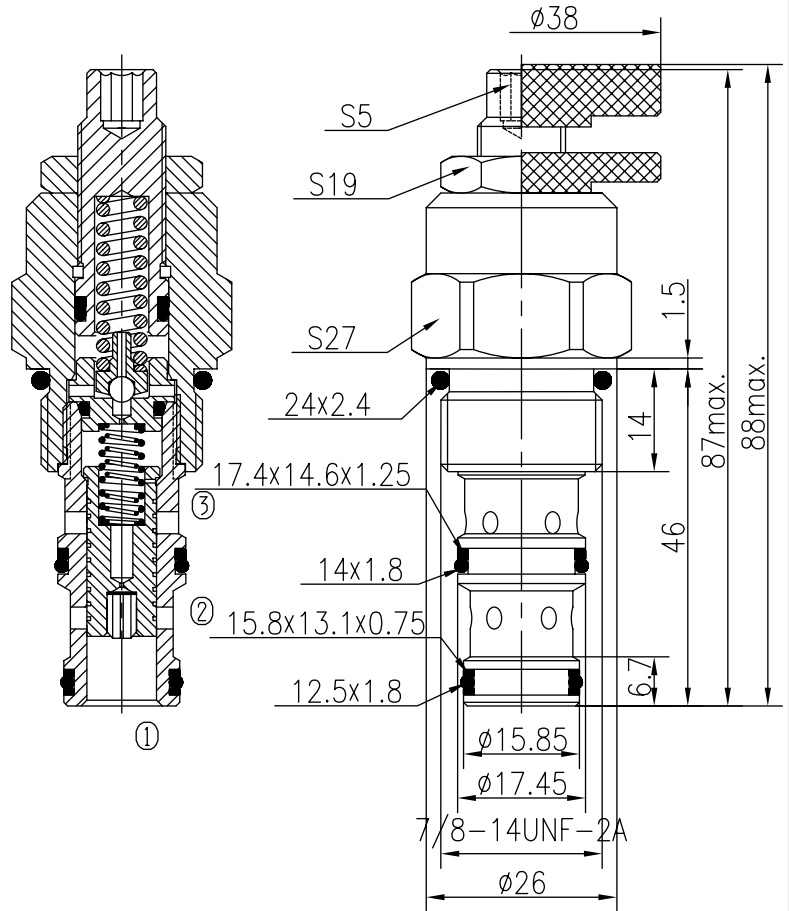
# Direct-acting Sequence Valves (Internally Piloted, Externally Drained)

BXSF10-01/X.Y



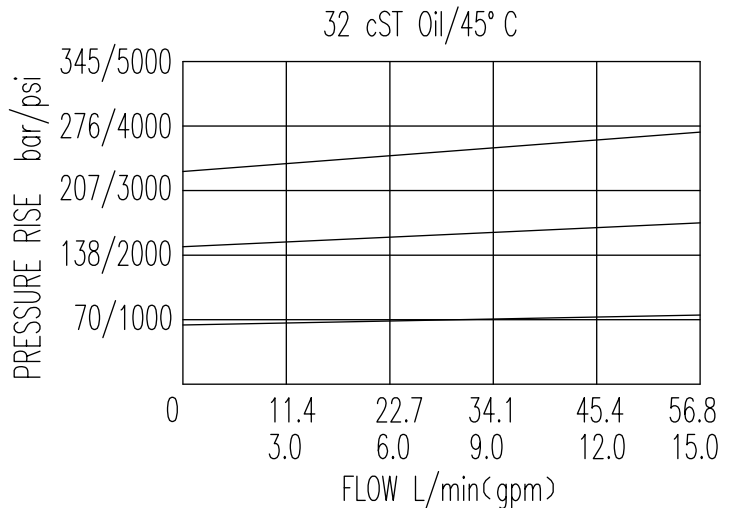
### Specifications:

|                        |  |
|------------------------|--|
| Max working Pressure : | 345bar   |
| Flow Max :             | 60L/min  |
| Internal Leakage :     | <80ml/min<br>(850% of Setting Pressure at 30L/min) |
| Filtration Of Oil :    | 25µm or better                                     |
| Temperature :          | -30~+100°C<br>(Standard Buna Seals)                |
| Cavity :               | T5-2   |
| Installation torque :  | 33.9~36.7Nm  |
| Standard Block Model   | T5-21*/23*/24*/26*                                 |



The pilot pressure is sensed from the inlet of port ①. When the ① port pressure exceeds the valve setting, the flow allows from ① to ②. The pilot flow directly to tank (port ③).

The valve is insensitive to back pressure at the sequence port.



| X  | ADJUSTMENTS                     |  |
|----|---------------------------------|--|
| 03 | Leakproof hex. and socket screw |  |
| 05 | Alum. Knob and Locking Nut      |  |

| Y  | SPRINGS          |                          |                      |                     |
|----|------------------|--------------------------|----------------------|---------------------|
|    | Press. range bar | Press. increase bar/turn | Standard setting bar | Cracking press. bar |
| 05 | 7~83             | 35                       | 80                   | 68                  |
| 10 | 45~165           | 83                       | 160                  | 144                 |
| 15 | 128~345          | 177                      | 250                  | 218                 |