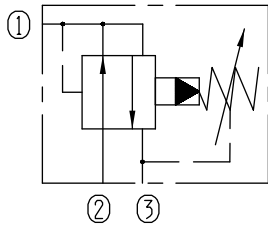


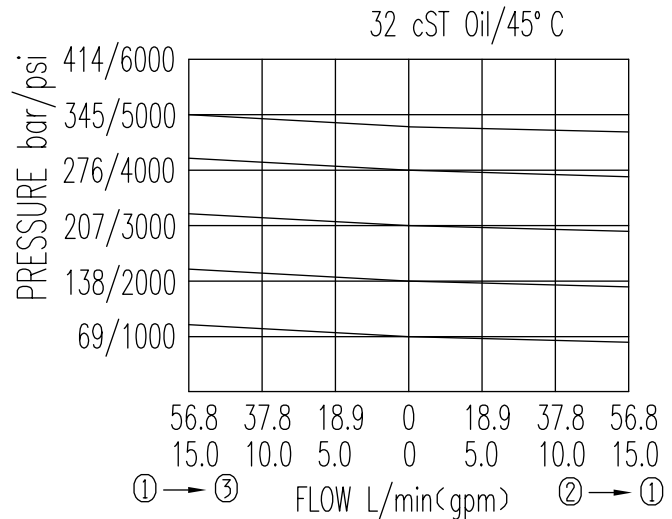
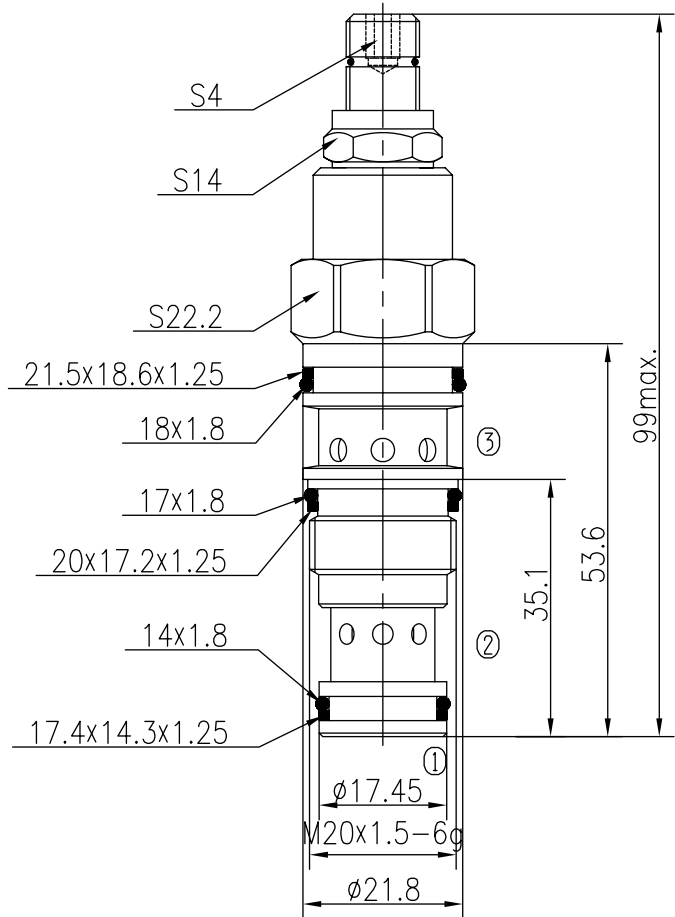
Pilot-operated Pressure Reducing/Relieving Valves

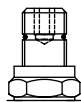
BXJF10-01/X.Y



Specifications:

Max working Pressure :	315bar
Flow Max :	40L/min
Filtration Of Oil :	25μm or better
Temperature :	-30~+100℃ (Standard Buna Seals)
Cavity :	T-11A
Installation torque :	40~50Nm



X	ADJUSTMENTS	
03	Leakproof hex. and socket screw	

Y	SPRINGS			
	Press. range bar	Press. increase bar/turn	Standard setting bar	Cracking press. bar
05	3.5~105		80	
10	7.0~210		160	
15	10~315		250	